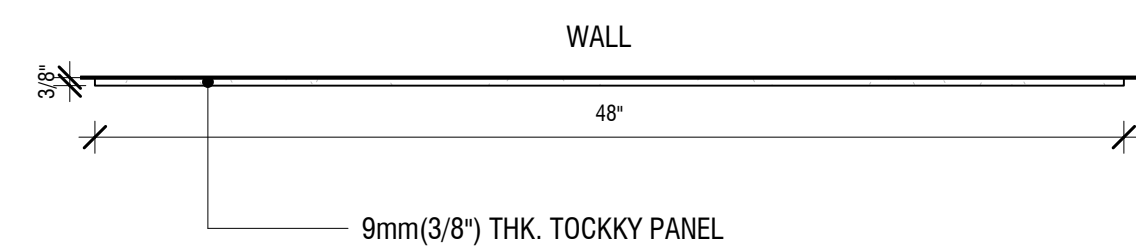
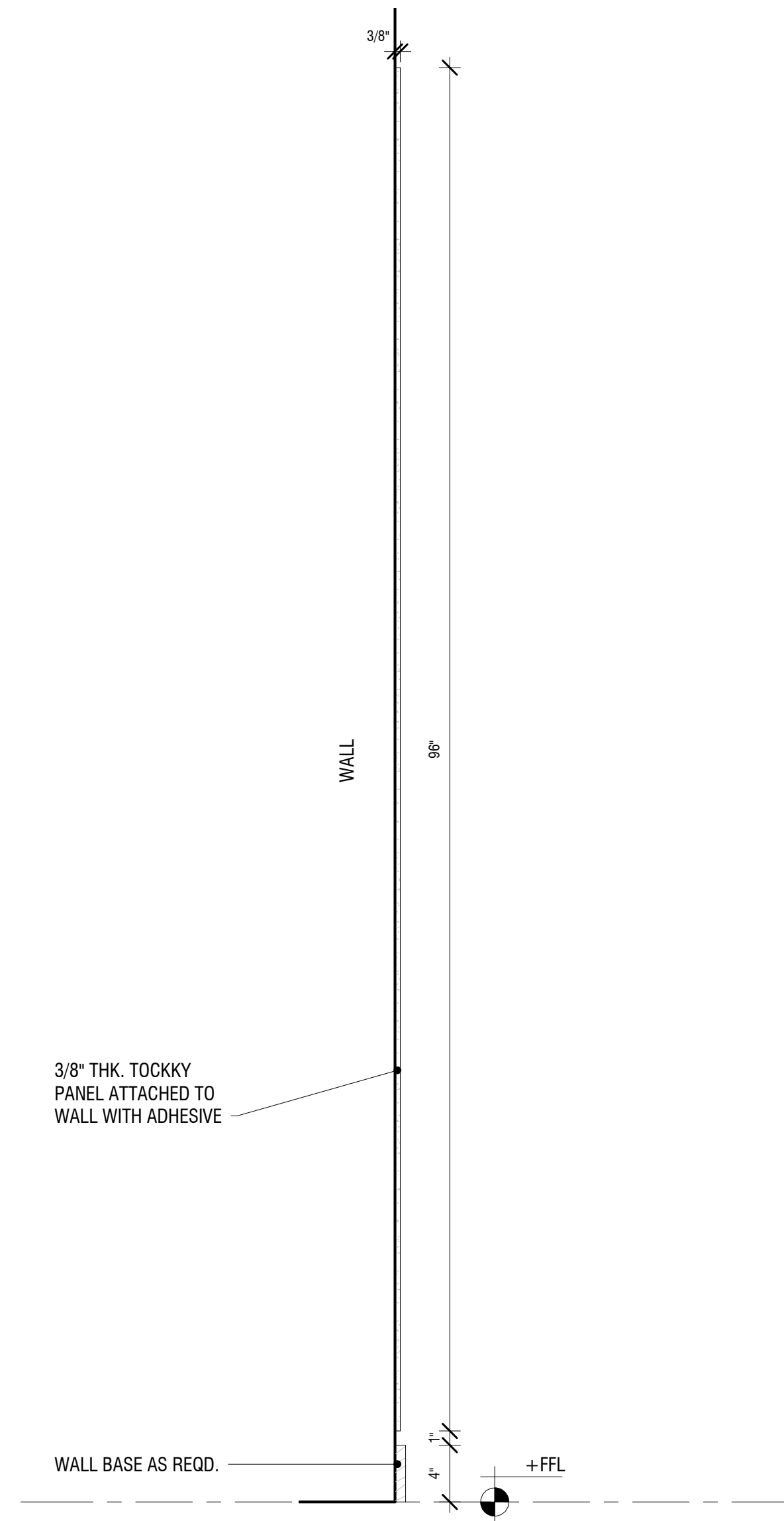


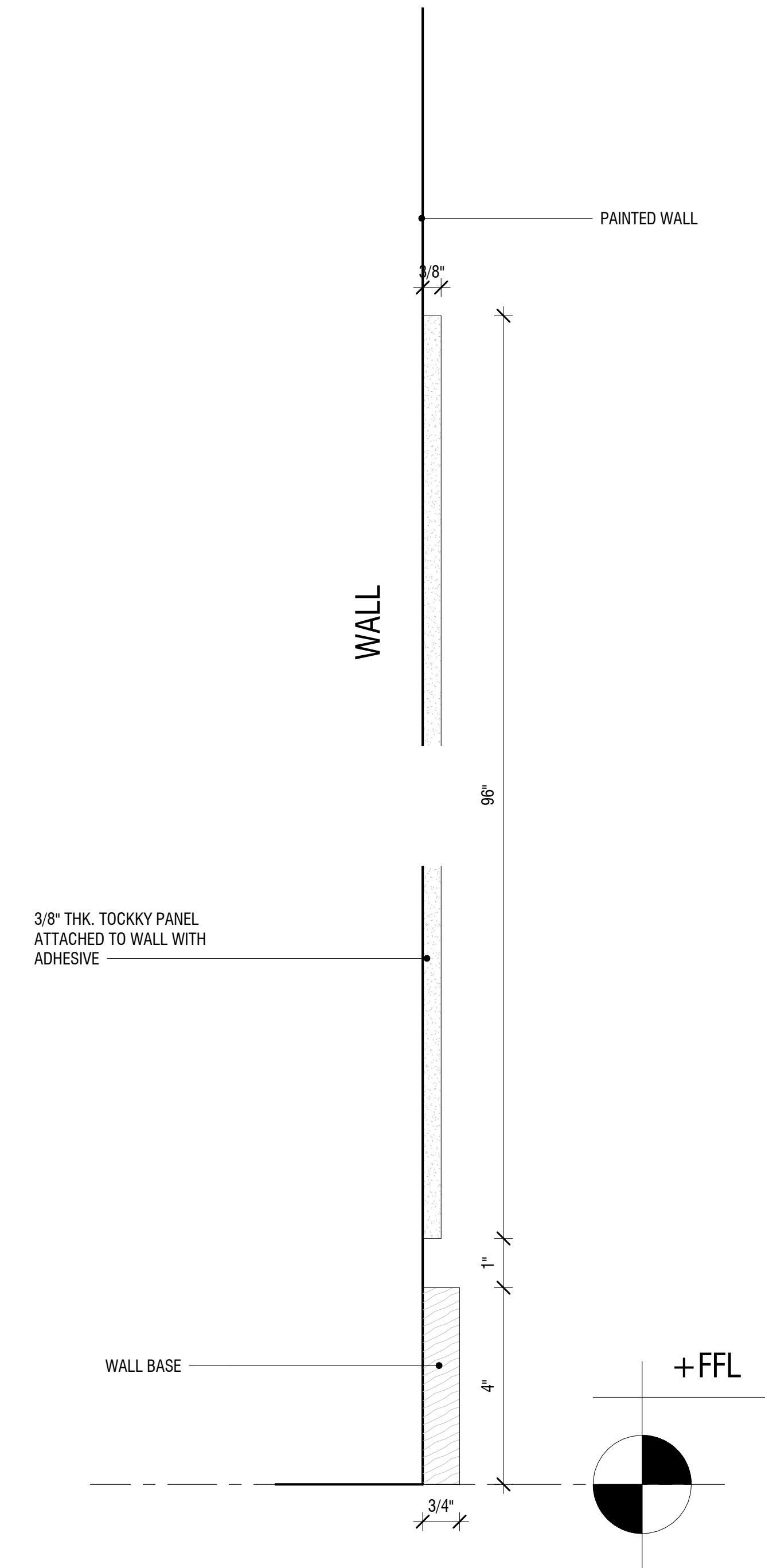
① 3/8" TOCKKY PANEL ATTACHED WITH ADHESIVE - ELEVATION  
1 1/2" = 1'-0"



② 3/8" TOCKKY PANEL ATTACHED WITH ADHESIVE - PLAN VIEW  
1 1/2" = 1'-0"



③ 3/8" TOCKKY PANEL ATTACHED WITH ADHESIVE - TYP. SECTION  
1 1/2" = 1'-0"



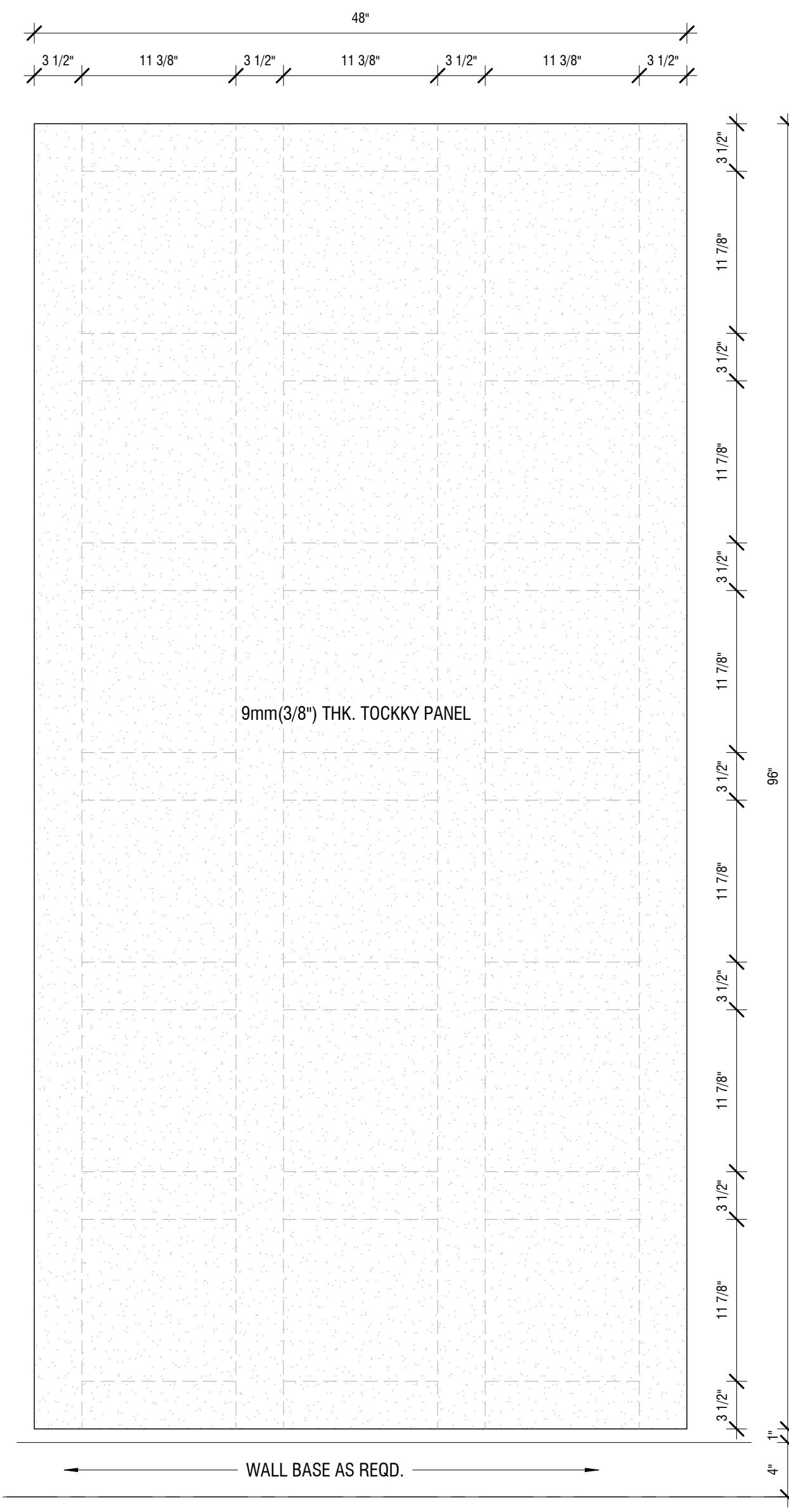
④ 3/8" TOCKKY PANEL ATTACHED WITH ADHESIVE - SECTIONAL DETAIL  
6" = 1'-0"

NO.	REVISIONS:	NAME:	DATE:
1	SUBMISSION FOR APPROVAL		
2			
3			
4			

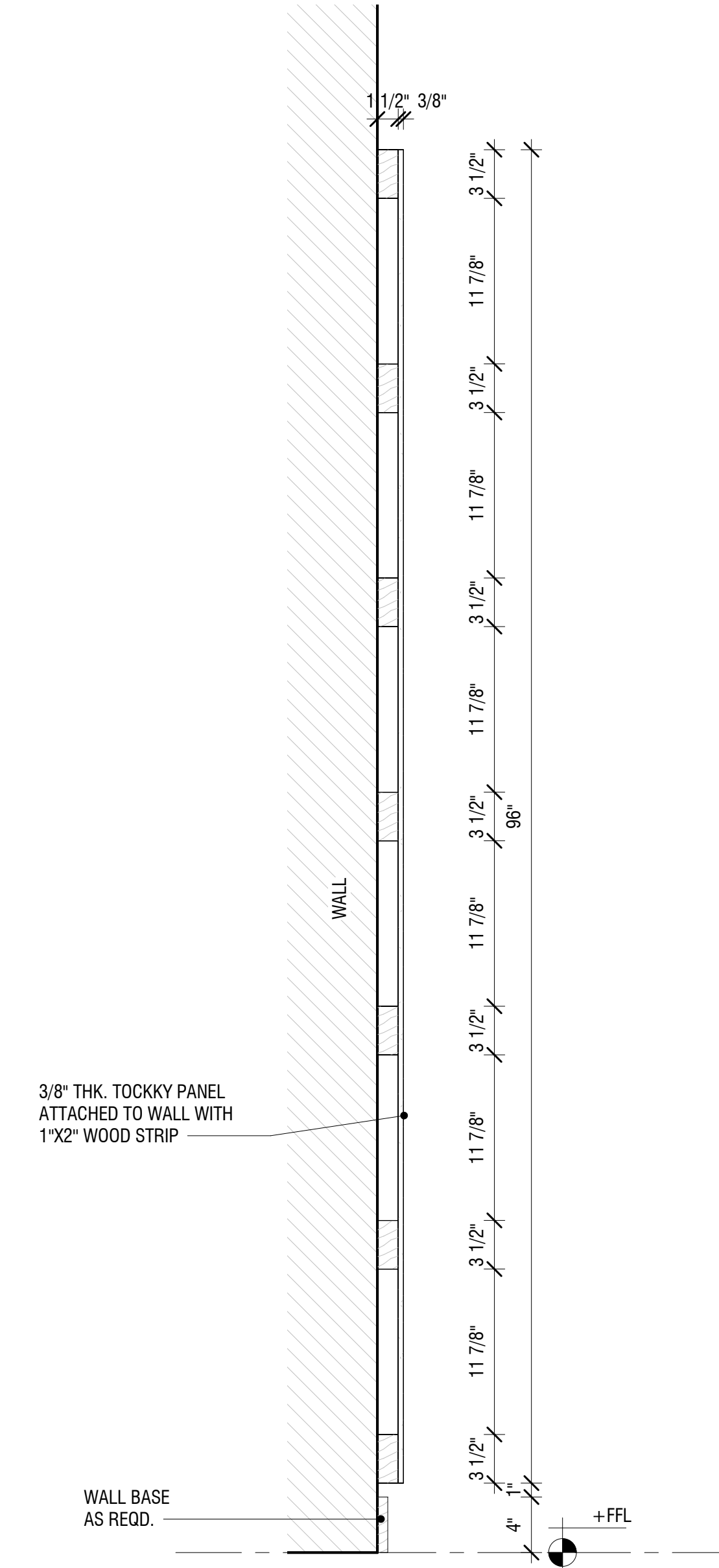


Product 1 - Tockky Acoustical Flat Panles

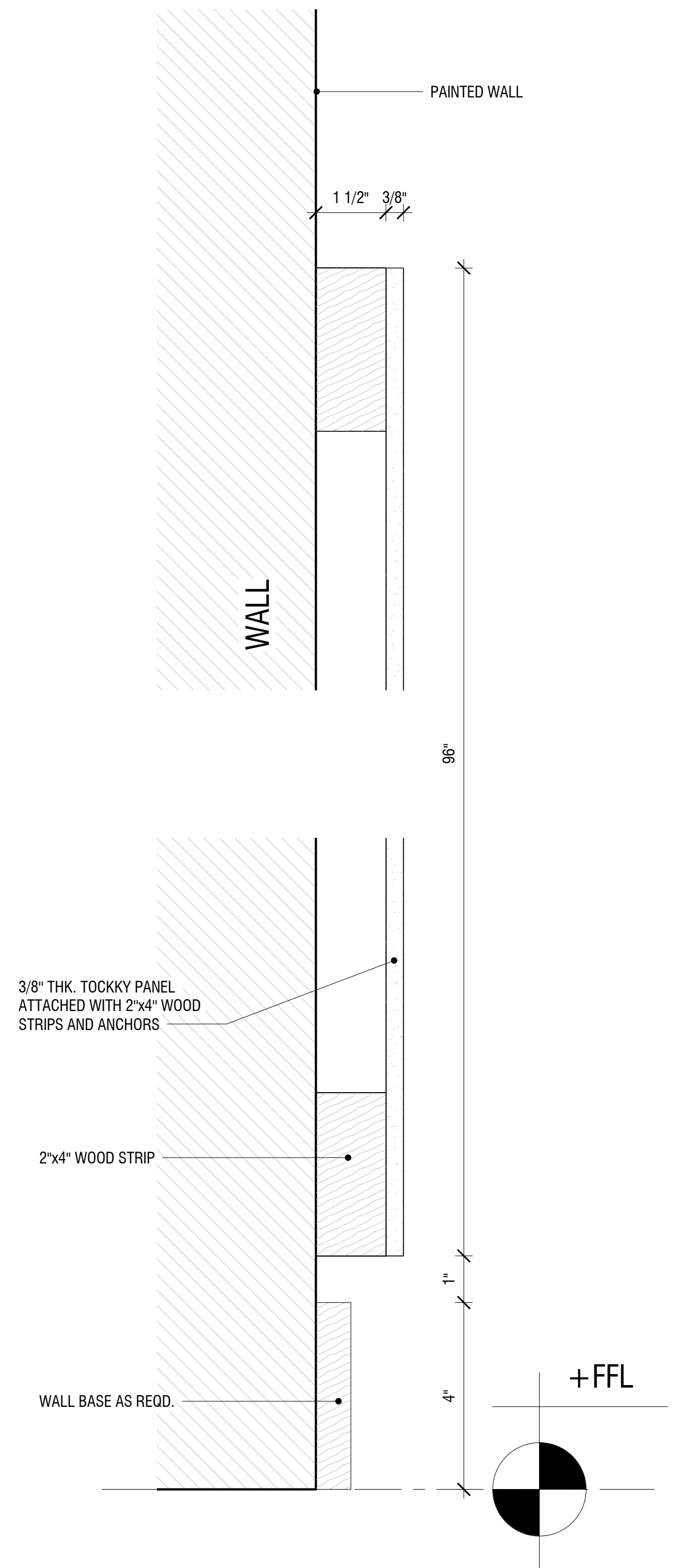
DATE:
DRAWN BY:
DRAWING TITLE: 3/8" TOCKKY PANELS W/ADHESIVE
PROJECT NUMBER:
DRAWING NUMBER: 1.0



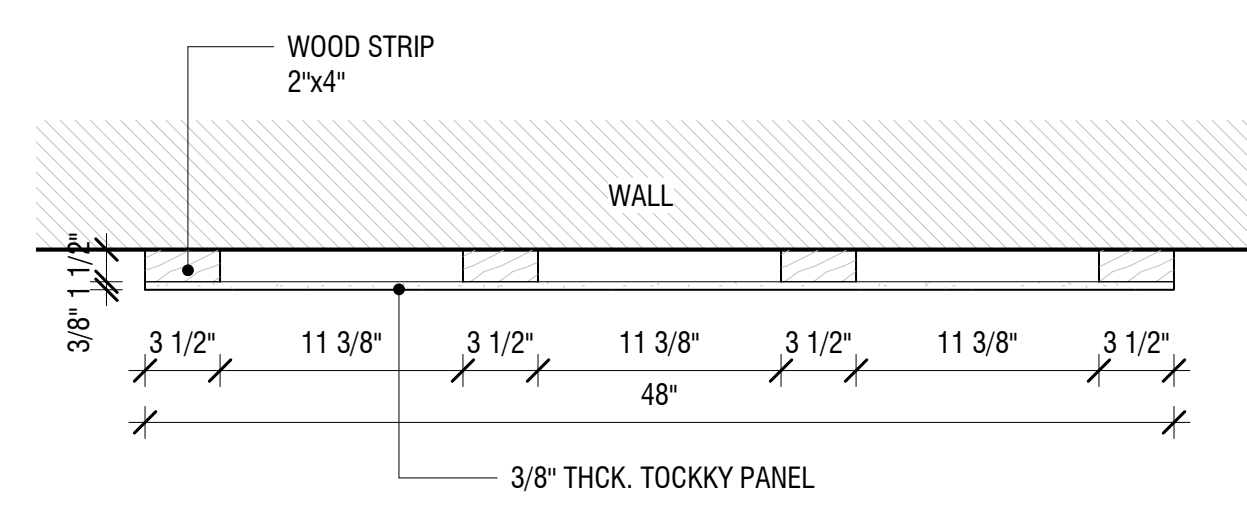
① 3/8" TOCKKY PANEL WITH 2"x4" WOOD STRIPS AND ANCHORS - ELEVATION  
1 1/2" = 1'-0"



③ 3/8" TOCKKY PANEL WITH 2"x4" WOOD STRIPS AND ANCHORS - TYP. SECTION  
1 1/2" = 1'-0"



④ 3/8" TOCKKY PANEL WITH 2"x4" WOOD STRIPS AND ANCHORS - SECTIONAL DETAIL  
6" = 1'-0"



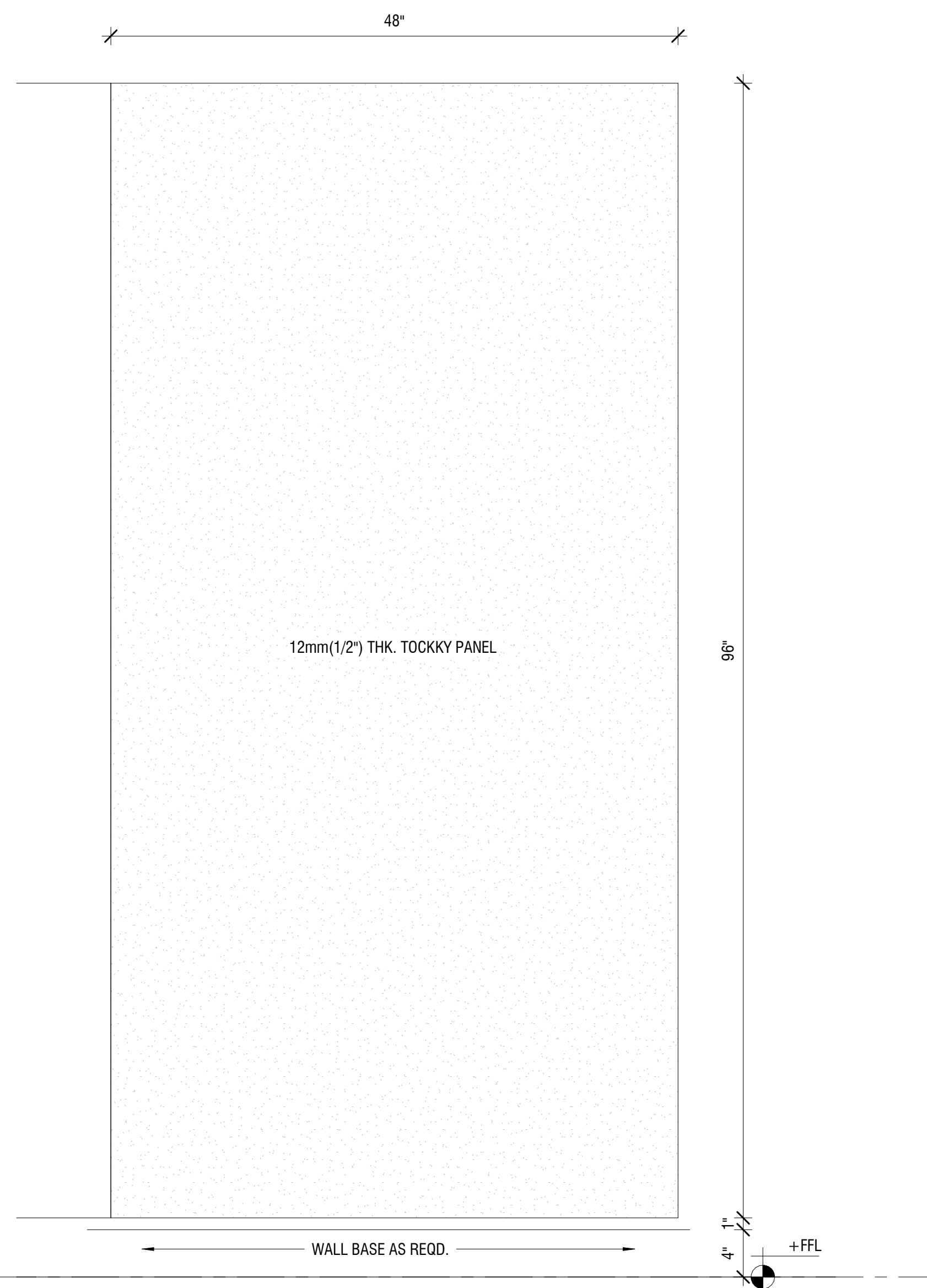
② 3/8" TOCKKY PANEL WITH 2"x4" WOOD STRIPS AND ANCHORS - PLAN VIEW  
1 1/2" = 1'-0"

NO.	REVISIONS:	DATE:
1	SUBMISSION FOR APPROVAL	
2		
3		
4		

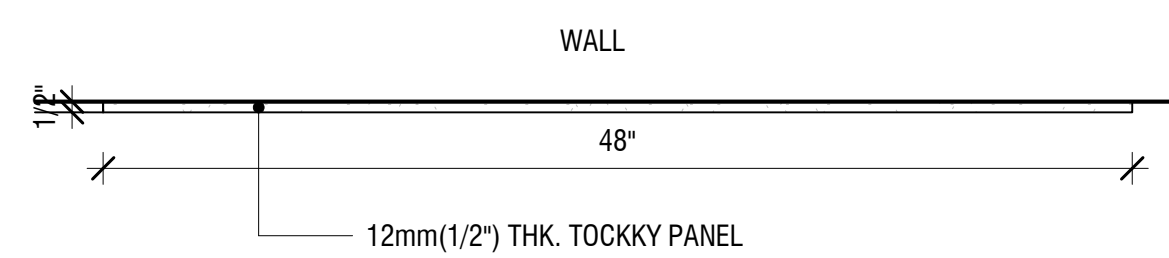


Product 1 - Tockky Acoustical Flat Panles

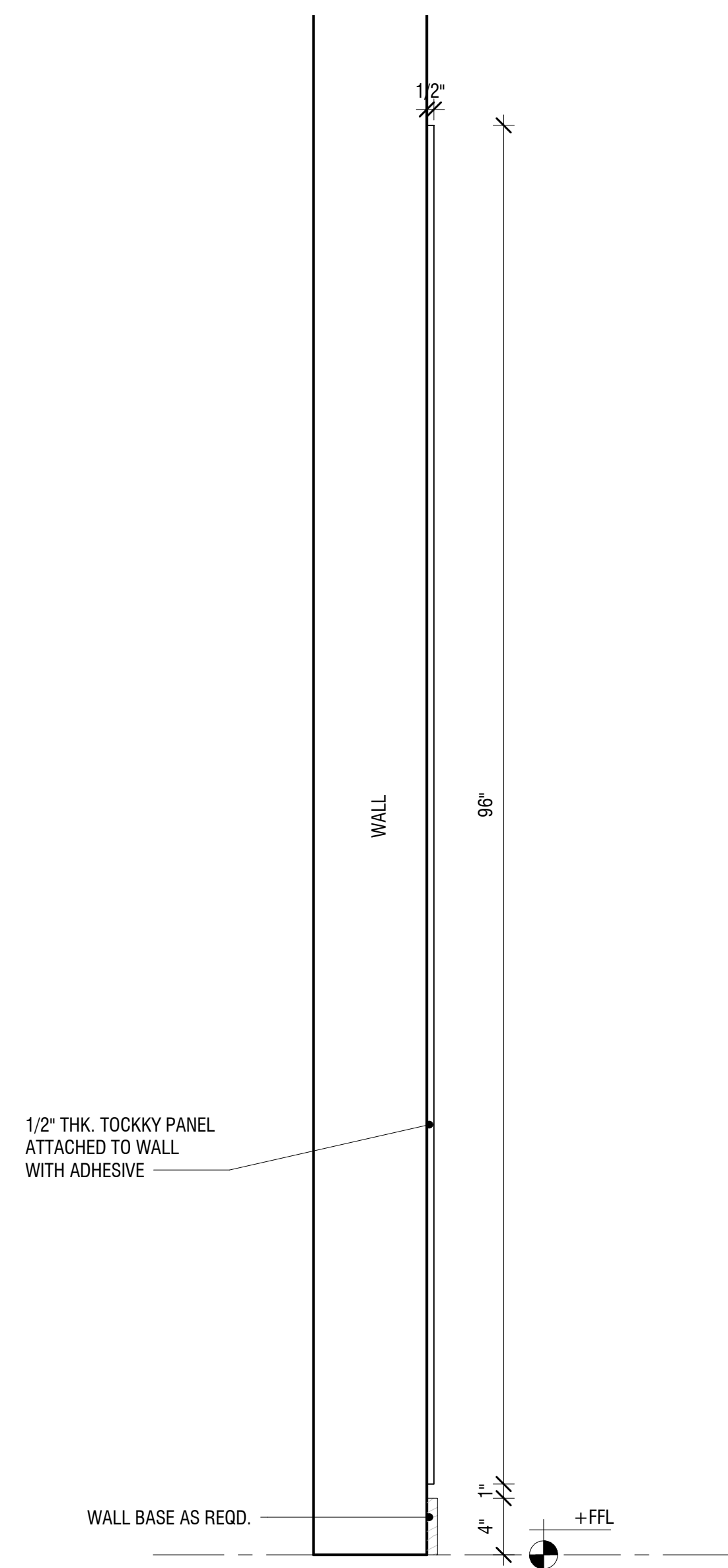
DATE:
DRAWN BY:
DRAWING TITLE: 3/8" TOCKKY PANEL W/WOOD STRIPS
PROJECT NUMBER:
DRAWING NUMBER: 2.0



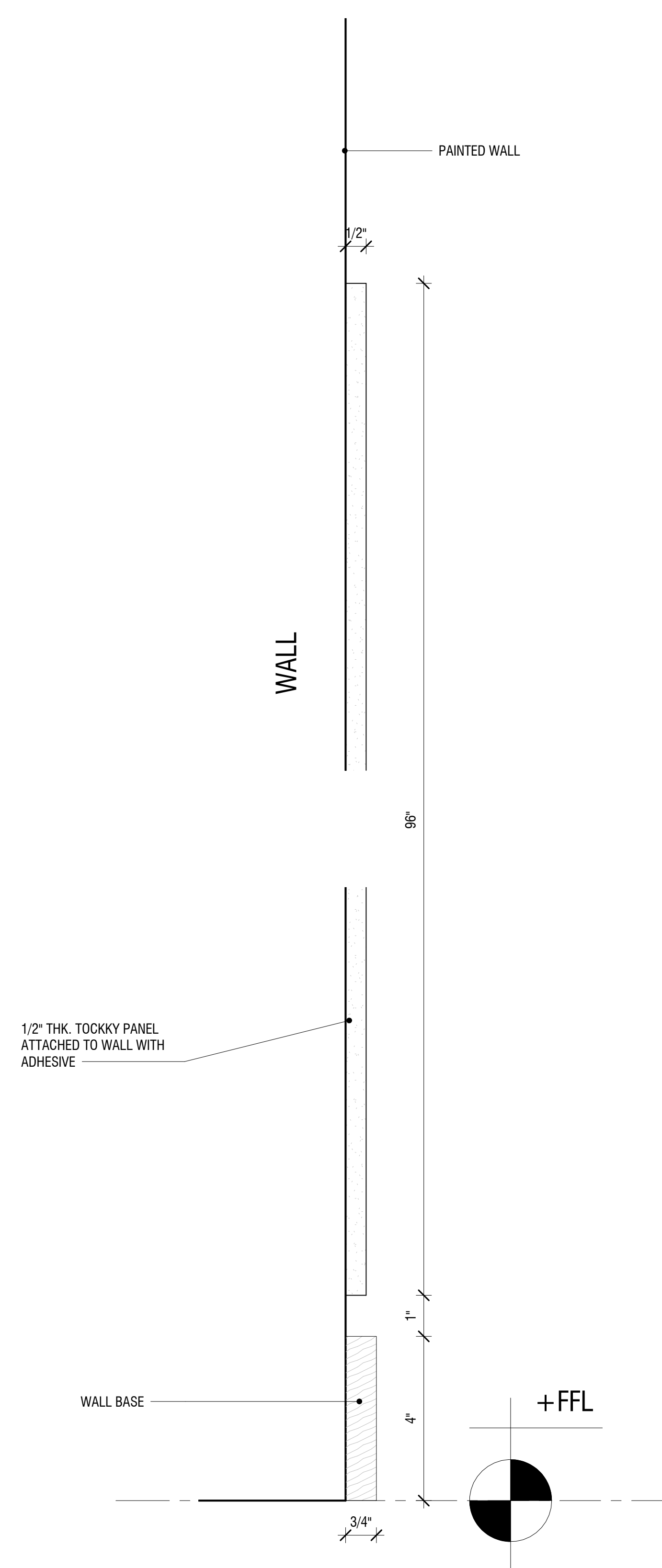
② 1/2" TOCKKY PANEL ATTACHED WITH ADHESIVE - ELEVATION  
1 1/2" = 1'-0"



① 1/2" TOCKKY PANEL ATTACHED WITH ADHESIVE - PLAN VIEW  
1 1/2" = 1'-0"



③ 1/2" TOCKKY PANEL ATTACHED WITH ADHESIVE - TYP. SECTION  
1 1/2" = 1'-0"



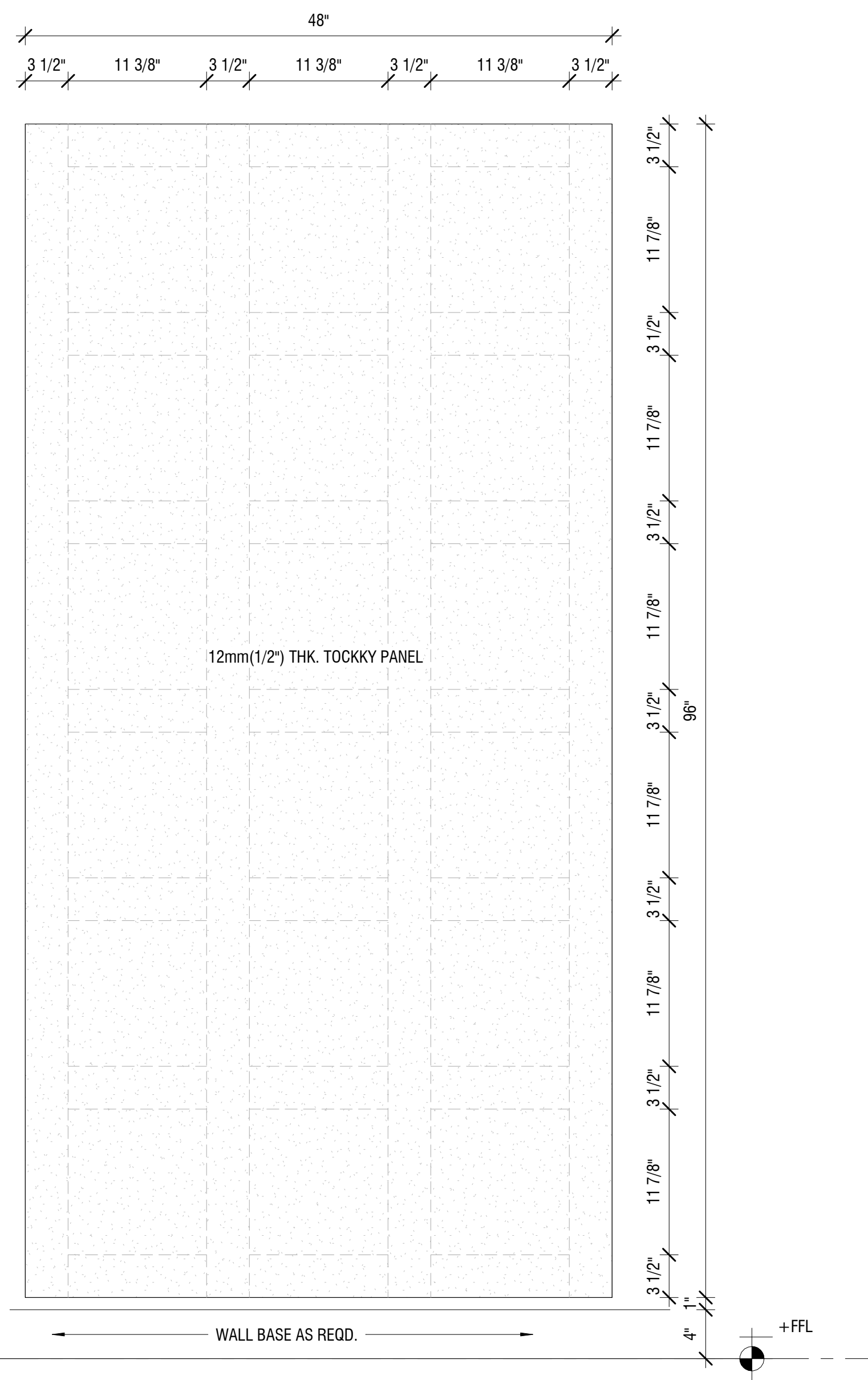
④ 1/2" TOCKKY PANEL ATTACHED WITH ADHESIVE - SECTIONAL DETAIL  
6" = 1'-0"

NO.	REVISIONS:	NAME:	DATE:
1	SUBMISSION FOR APPROVAL		
2			
3			
4			

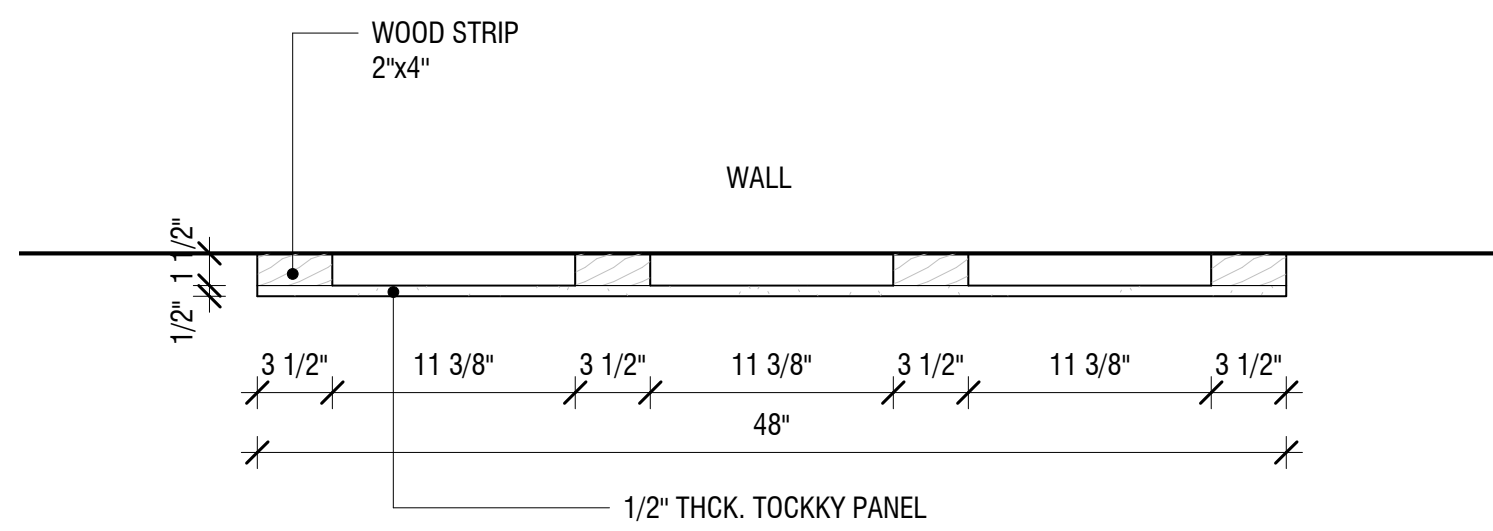


Product 1 - Tockky  
Acoustical Flat Panels

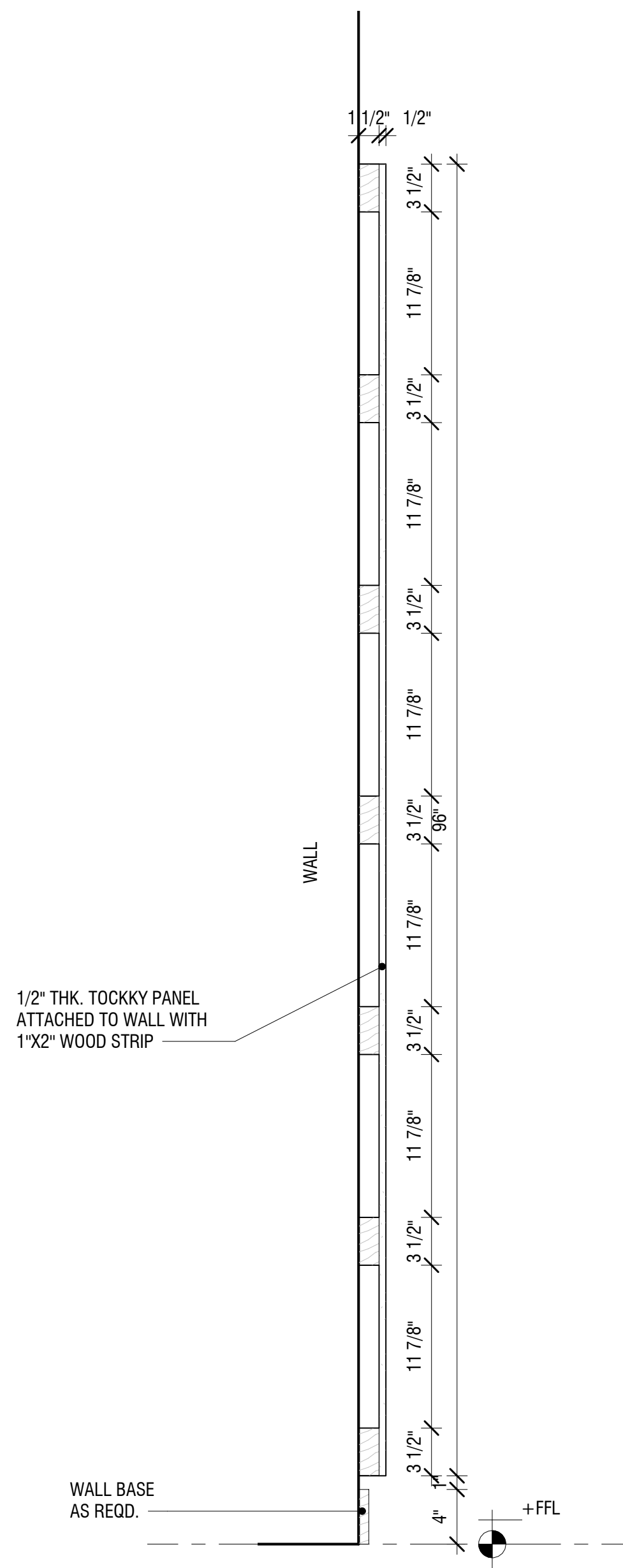
DATE:
DRAWN BY:
DRAWING TITLE: 1/2" TOCKKY PANELS W/ADHESIVE
PROJECT NUMBER:
DRAWING NUMBER:  1.1



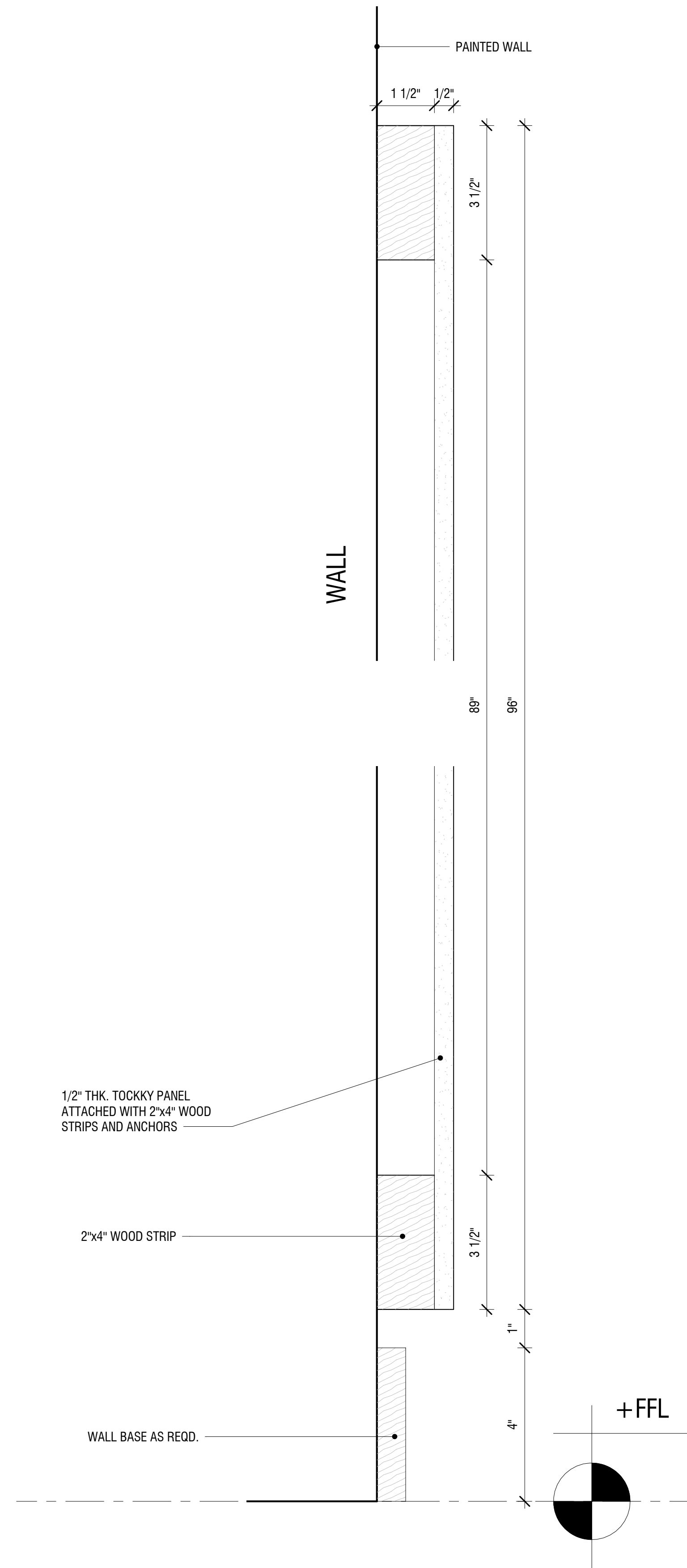
② 1/2" TOCKKY PANEL WITH 2"x4" WOOD STRIPS AND ANCHORS - ELEVATION  
1 1/2" = 1'-0"



① 1/2" TOCKKY PANEL WITH 2"x4" WOOD STRIPS AND ANCHORS - PLAN VIEW  
1 1/2" = 1'-0"



③ 1/2" TOCKKY PANEL WITH 2"x4" WOOD STRIPS AND ANCHORS - TYP. SECTION  
1 1/2" = 1'-0"



④ 1/2" TOCKKY PANEL WITH 2"x4" WOOD STRIPS AND ANCHORS - SECTIONAL DETAIL  
6" = 1'-0"

NO.	REVISIONS:	DATE:
1	SUBMISSION FOR APPROVAL	
2		
3		
4		

NAME:

DATE:

NO. 1 SUBMISSION FOR APPROVAL

NO. 2

NO. 3

NO. 4

**Tockky**

Product 1 - Tockky Acoustical Flat Panels

DATE:

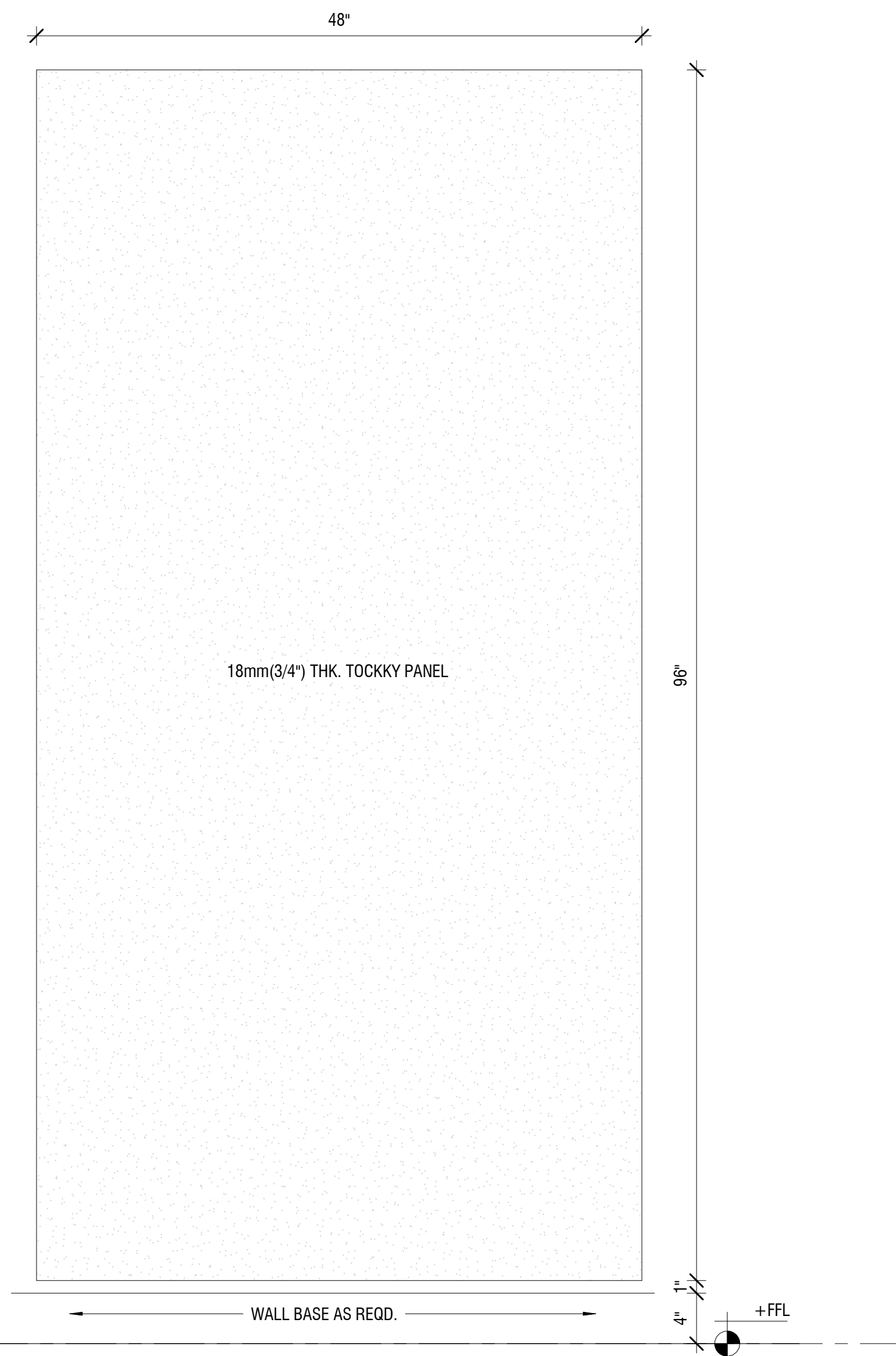
DRAWN BY:

DRAWING TITLE:  
1/2" TOCKKY PANEL W/WOOD STRIPS

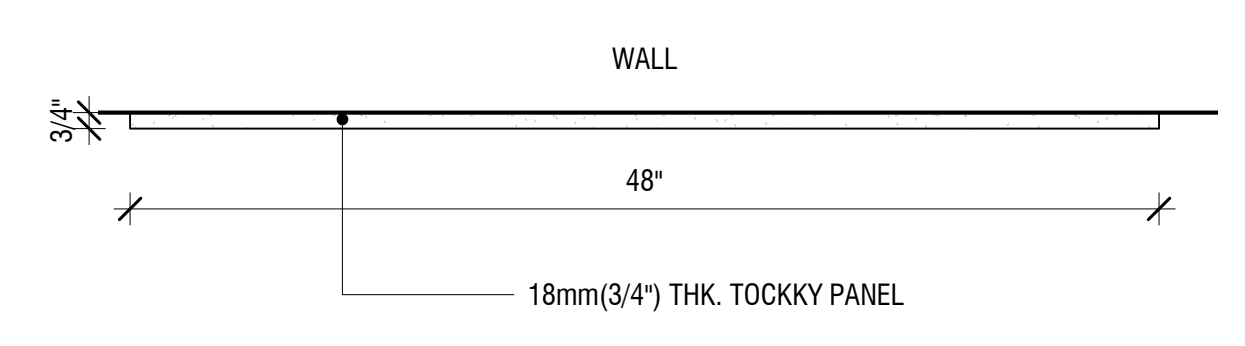
PROJECT NUMBER:

DRAWING NUMBER:  
2.1

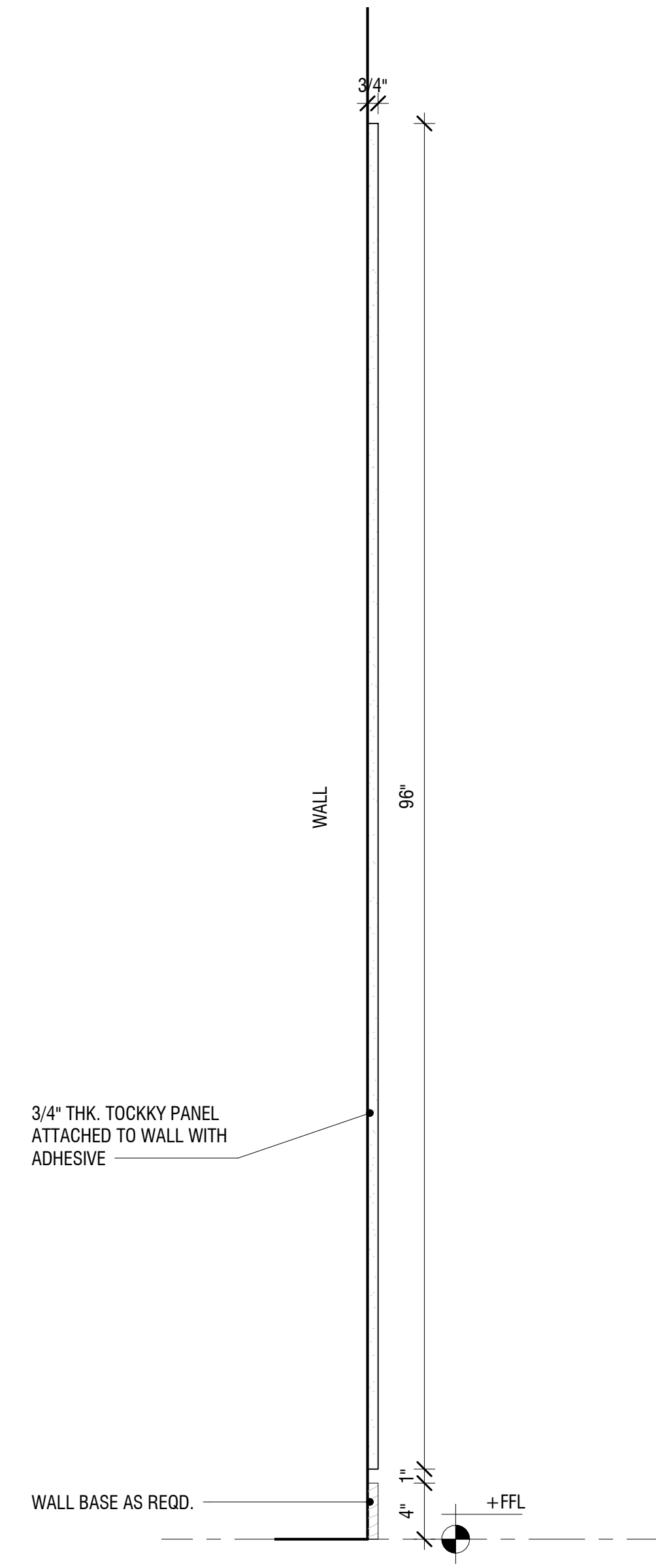




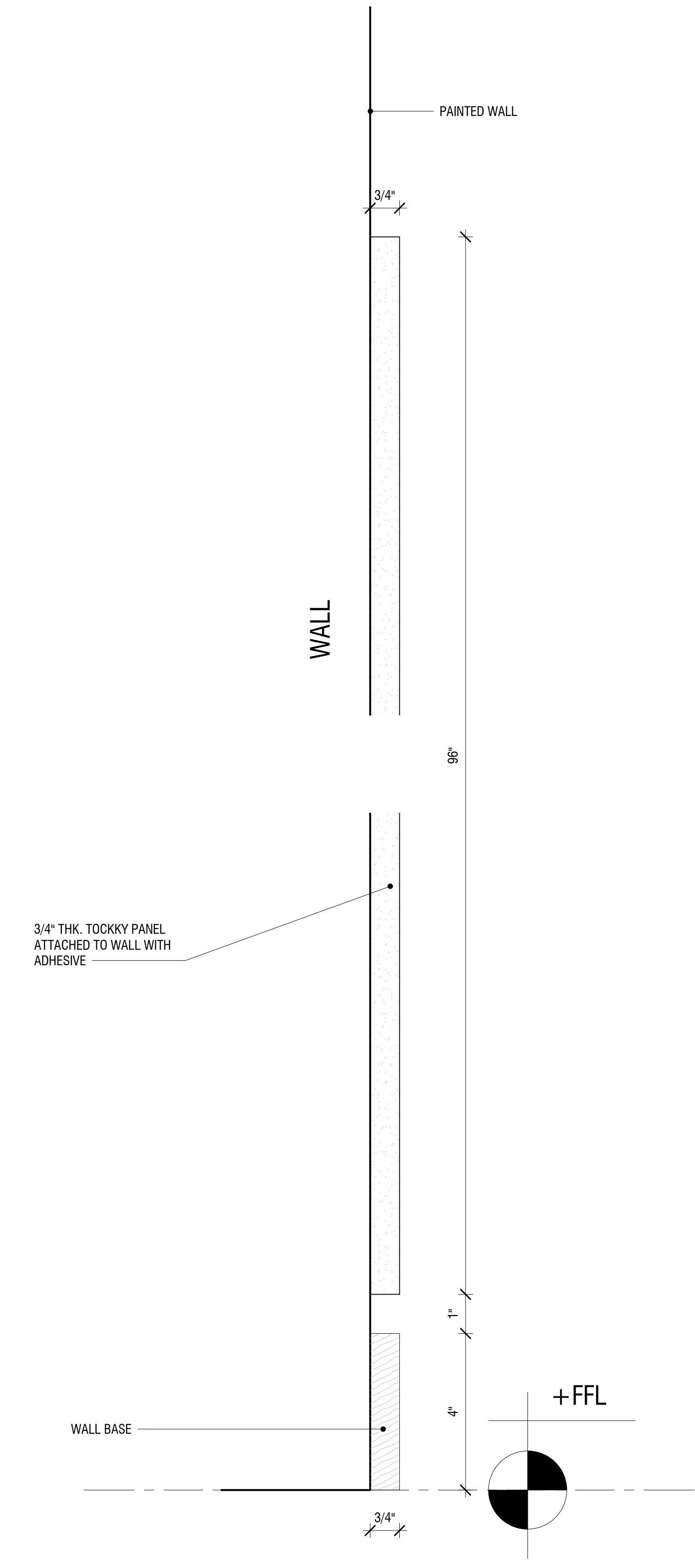
② 3/4" TOCKKY PANEL ATTACHED WITH ADHESIVE - ELEVATION  
1 1/2" = 1'-0"



① 3/4" TOCKKY PANEL ATTACHED WITH ADHESIVE - PLAN VIEW  
1 1/2" = 1'-0"



③ 3/4" TOCKKY PANEL ATTACHED WITH ADHESIVE - TYP. SECTION  
1 1/2" = 1'-0"



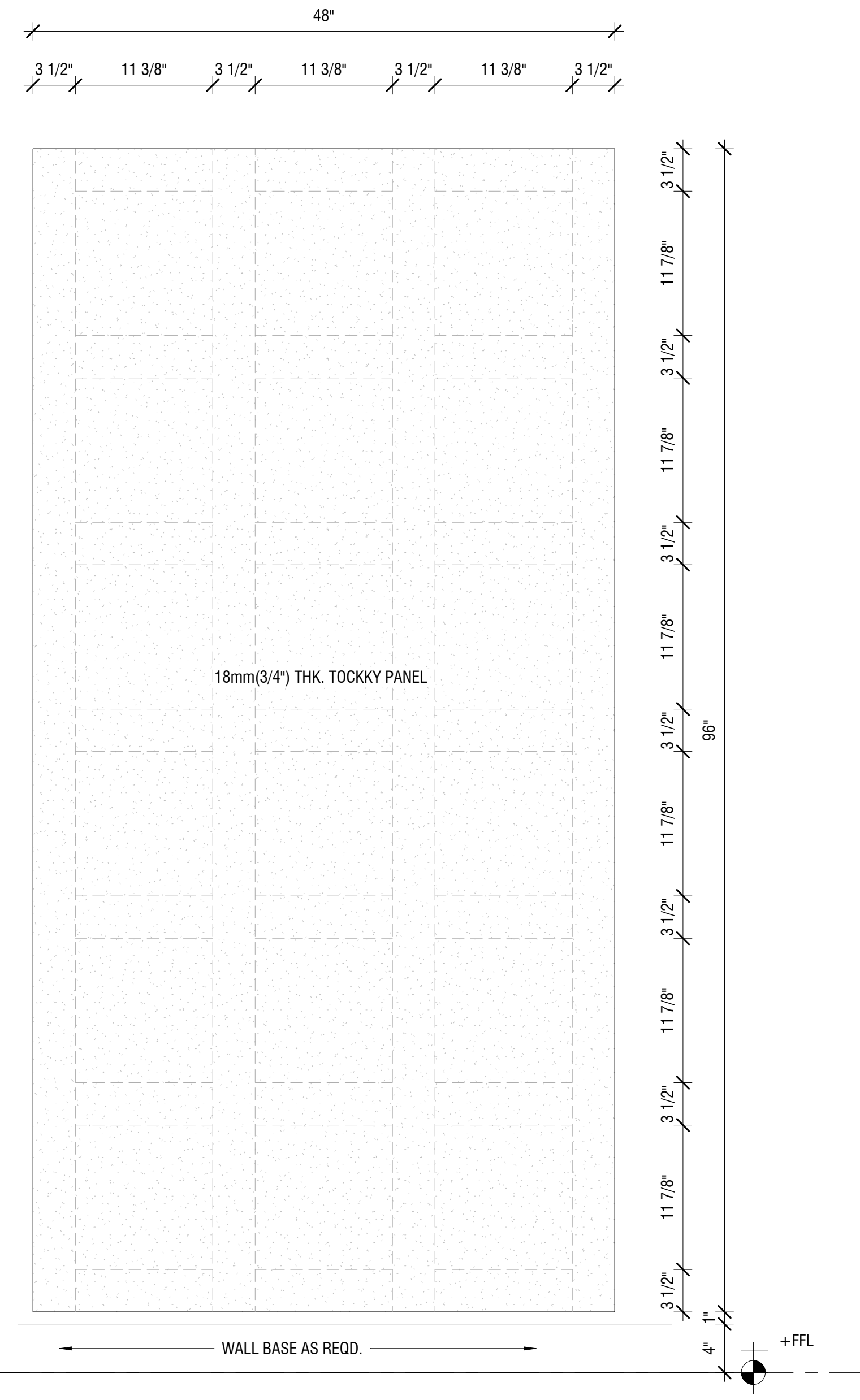
④ 3/4" TOCKKY PANEL ATTACHED WITH ADHESIVE - SECTIONAL DETAIL  
6" = 1'-0"

NO.	REVISIONS:	NAME:	DATE:
1	SUBMISSION FOR APPROVAL		
2			
3			
4			

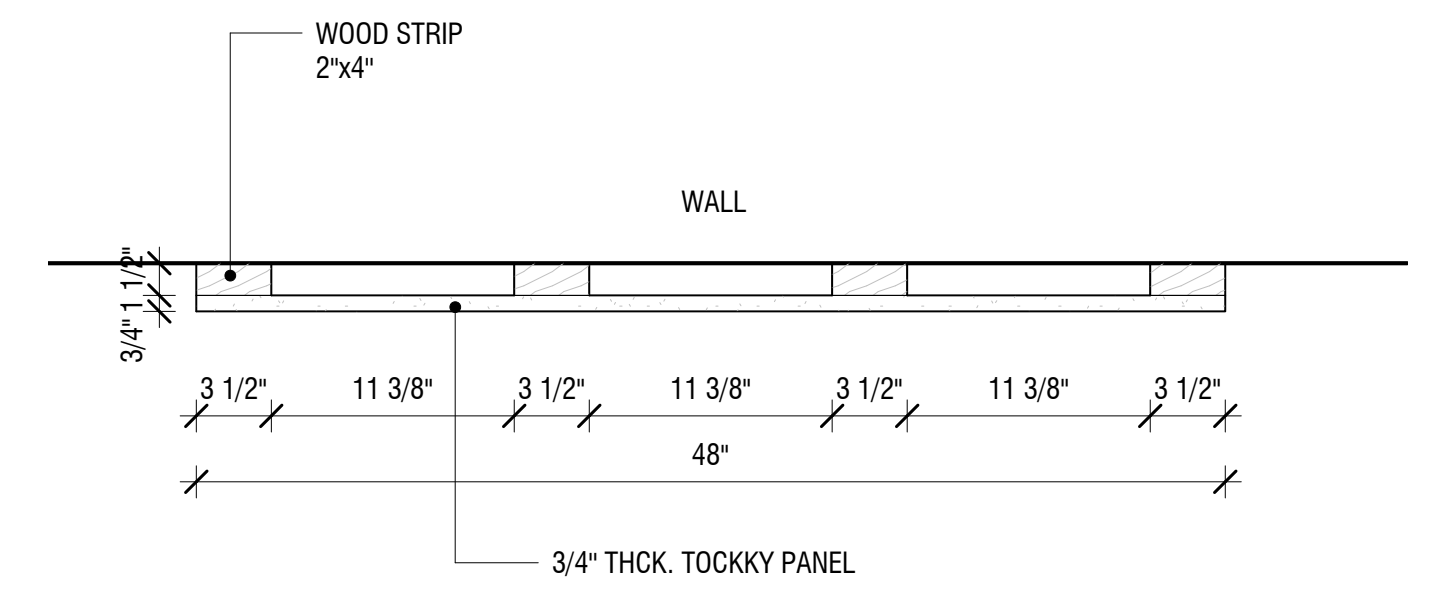


Product 1 - Tockky Acoustical Flat Panels

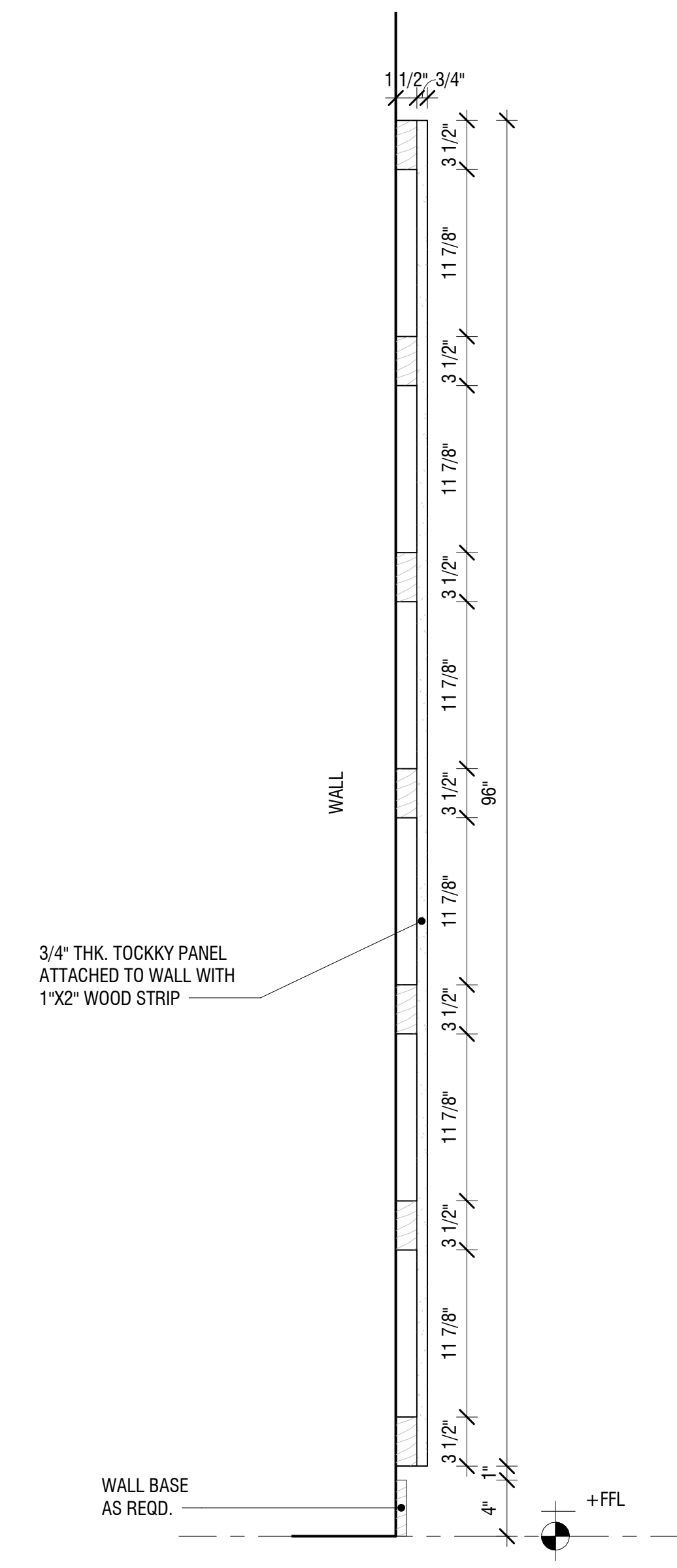
DATE:
DRAWN BY:
DRAWING TITLE: 3/4" TOCKKY PANELS W/ADHESIVE
PROJECT NUMBER:
DRAWING NUMBER:



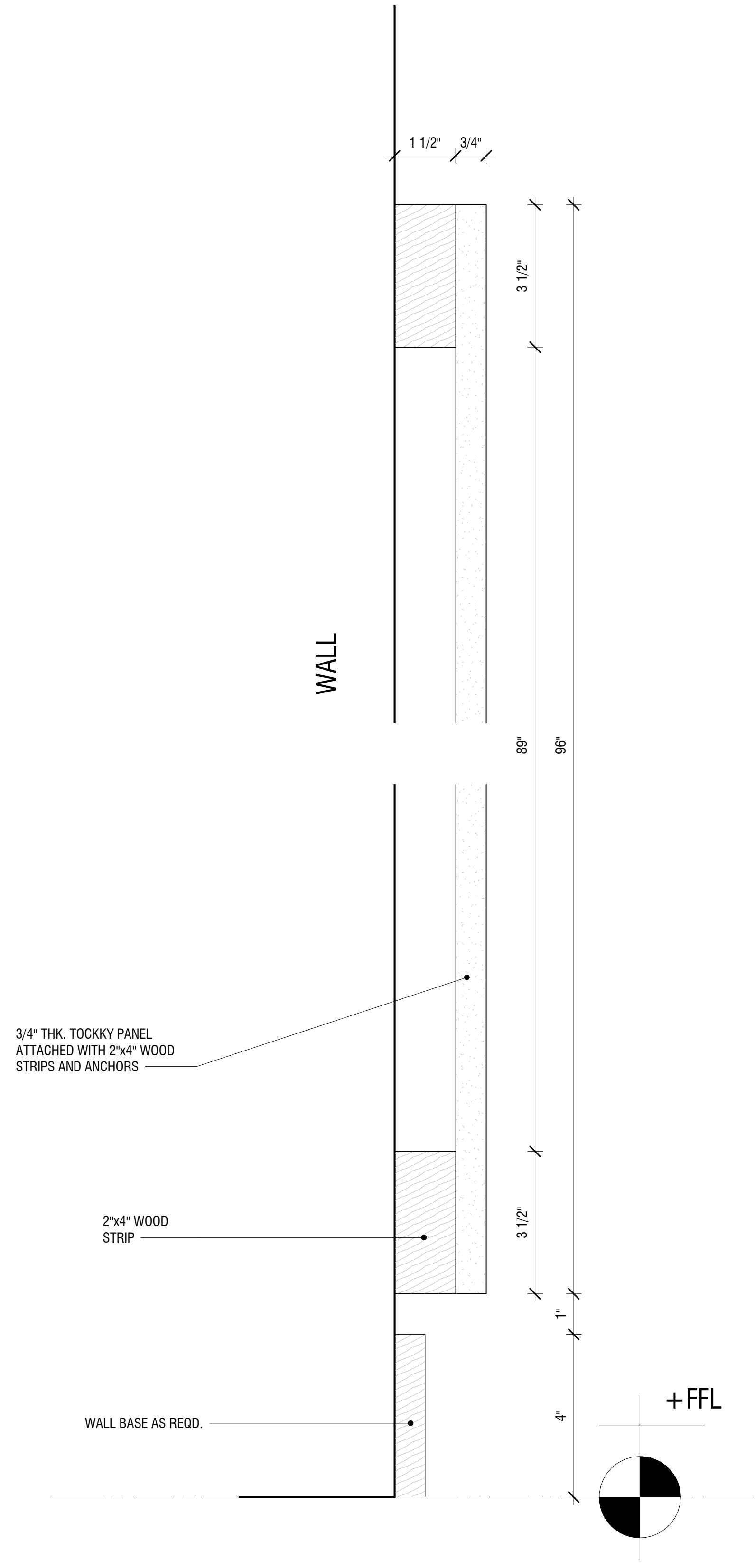
② 3/4" TOCKKY PANEL WITH 2"x4" WOOD STRIPS AND ANCHORS - ELEVATION  
1 1/2" = 1'-0"



① 3/4" TOCKKY PANEL WITH 2"x4" WOOD STRIPS AND ANCHORS - PLAN VIEW  
1 1/2" = 1'-0"



③ 3/4" TOCKKY PANEL WITH 2"x4" WOOD STRIPS AND ANCHORS - TYP. SECTION  
1 1/2" = 1'-0"



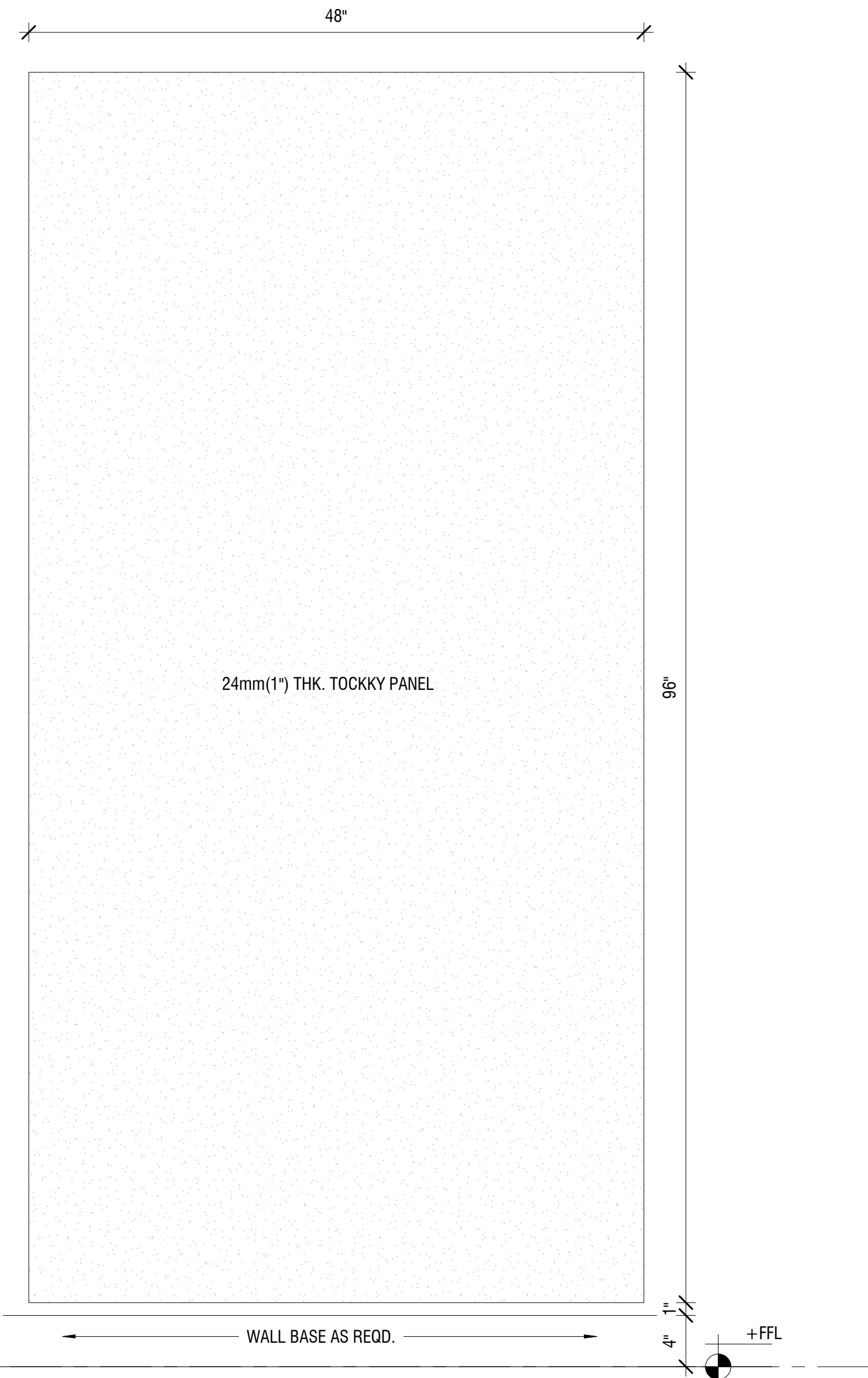
④ 3/4" TOCKKY PANEL WITH 2"x4" WOOD STRIPS AND ANCHORS - SECTIONAL DETAIL  
6" = 1'-0"

NO.	REVISIONS:	NAME:	DATE:
1	SUBMISSION FOR APPROVAL		
2			
3			
4			

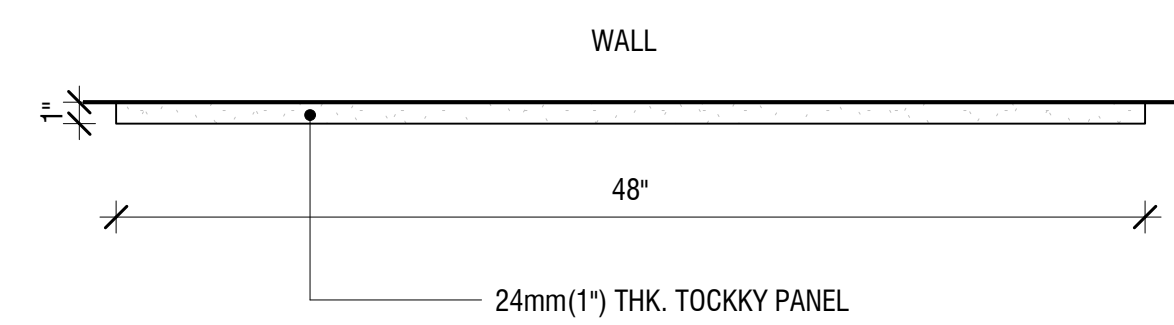


Product 1 - Tockky Acoustical Flat Panles

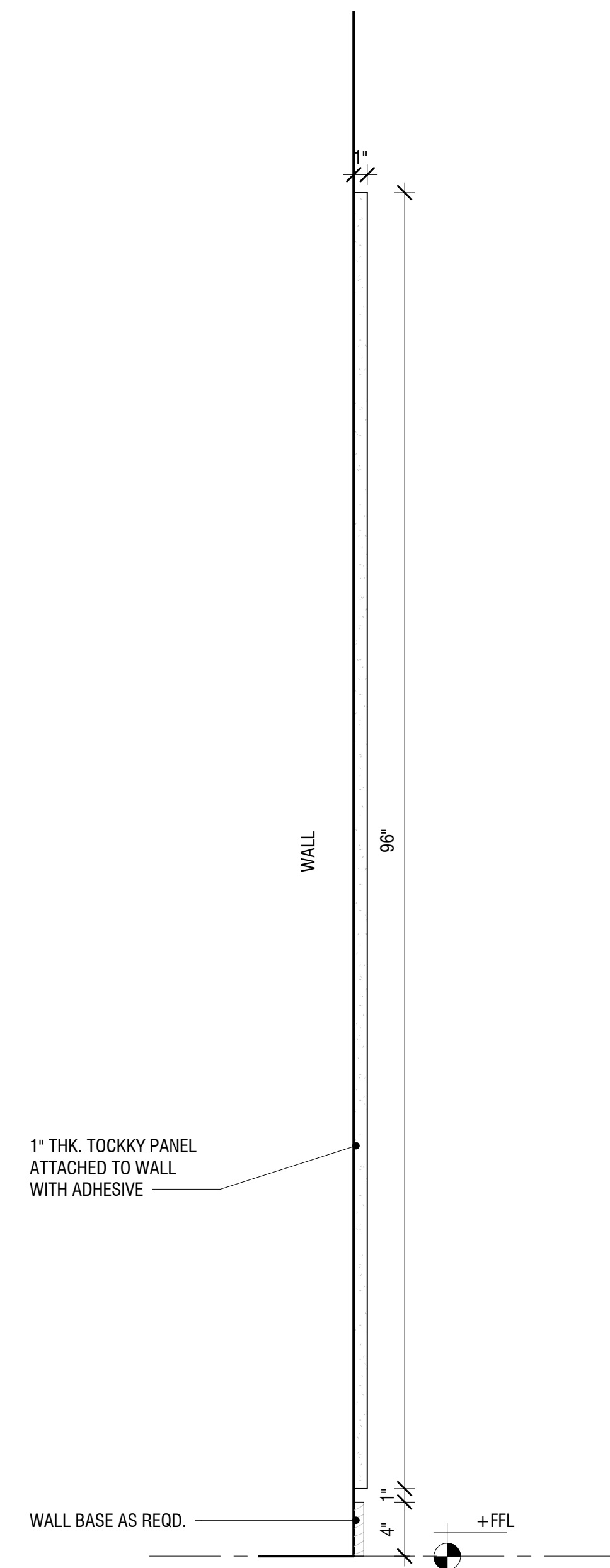
DATE:
DRAWN BY:
DRAWING TITLE: 3/4" TOCKKY PANEL W/WOOD STRIPS
PROJECT NUMBER:
DRAWING NUMBER: 2.2



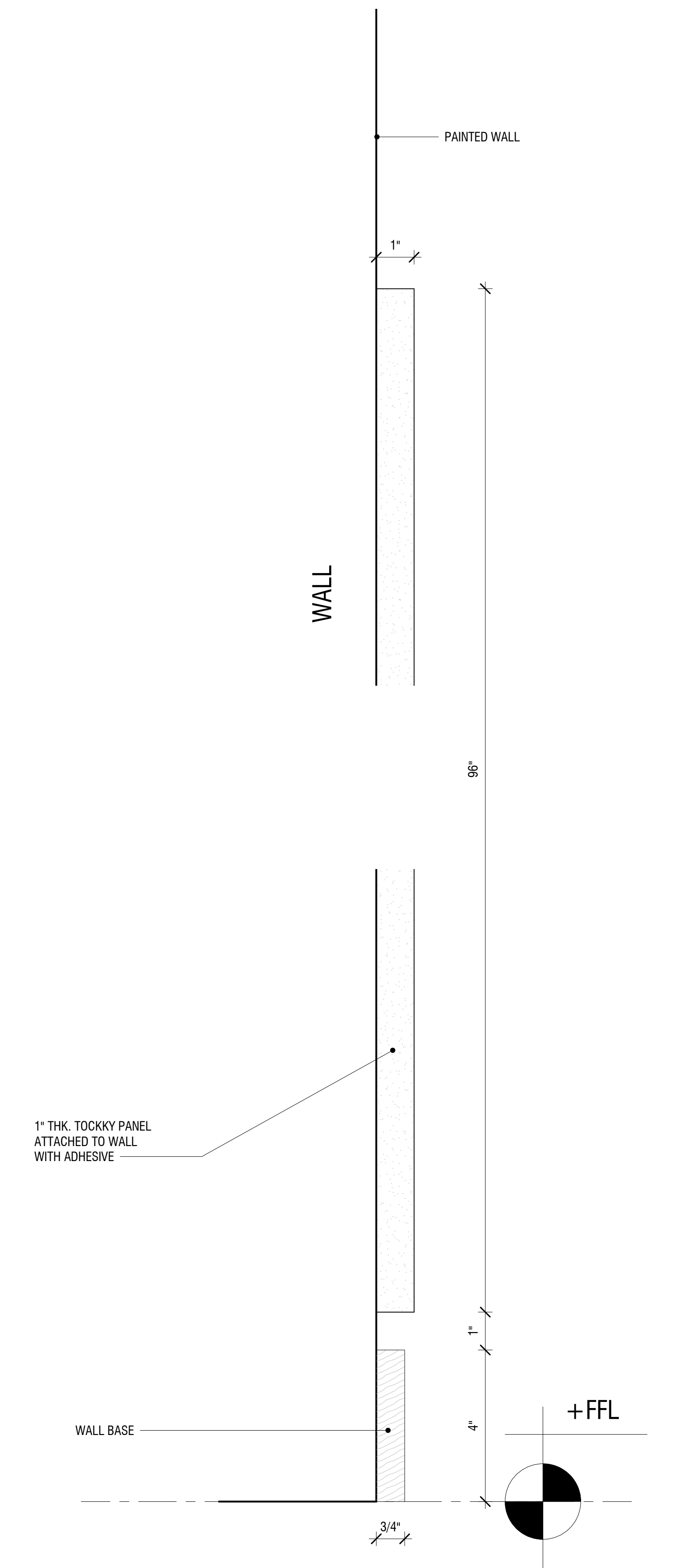
② 1" TOCKKY PANEL ATTACHED WITH ADHESIVE - ELEVATION  
1 1/2" = 1'-0"



① 1" TOCKKY PANEL ATTACHED WITH ADHESIVE - PLAN VIEW  
1 1/2" = 1'-0"



③ 1" TOCKKY PANEL ATTACHED WITH ADHESIVE - TYP. SECTION  
1 1/2" = 1'-0"



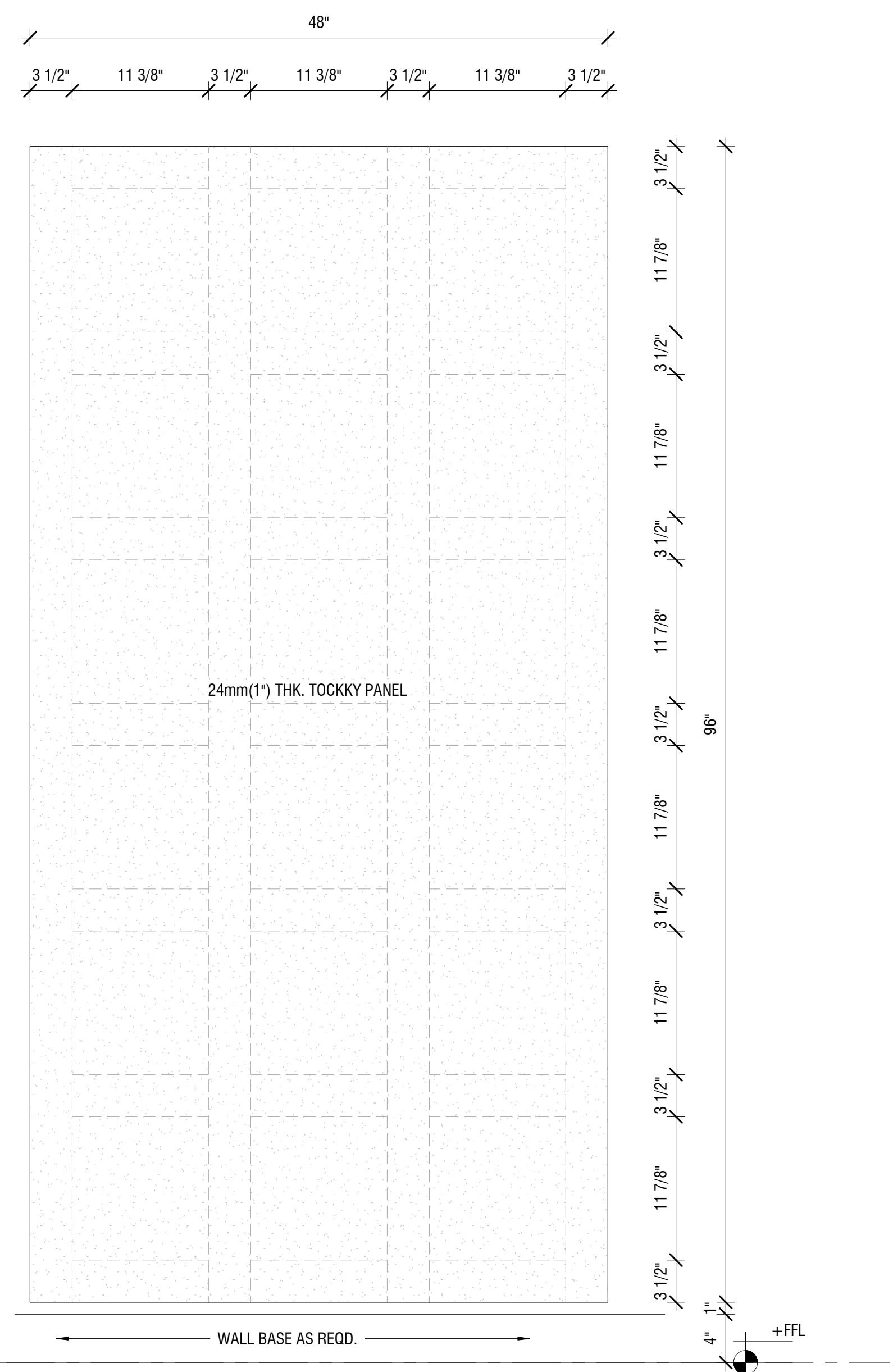
④ 1" TOCKKY PANEL ATTACHED WITH ADHESIVE - SECTIONAL DETAIL  
6" = 1'-0"

NO.	REVISIONS:	NAME:	DATE:
1	SUBMISSION FOR APPROVAL		
2			
3			
4			

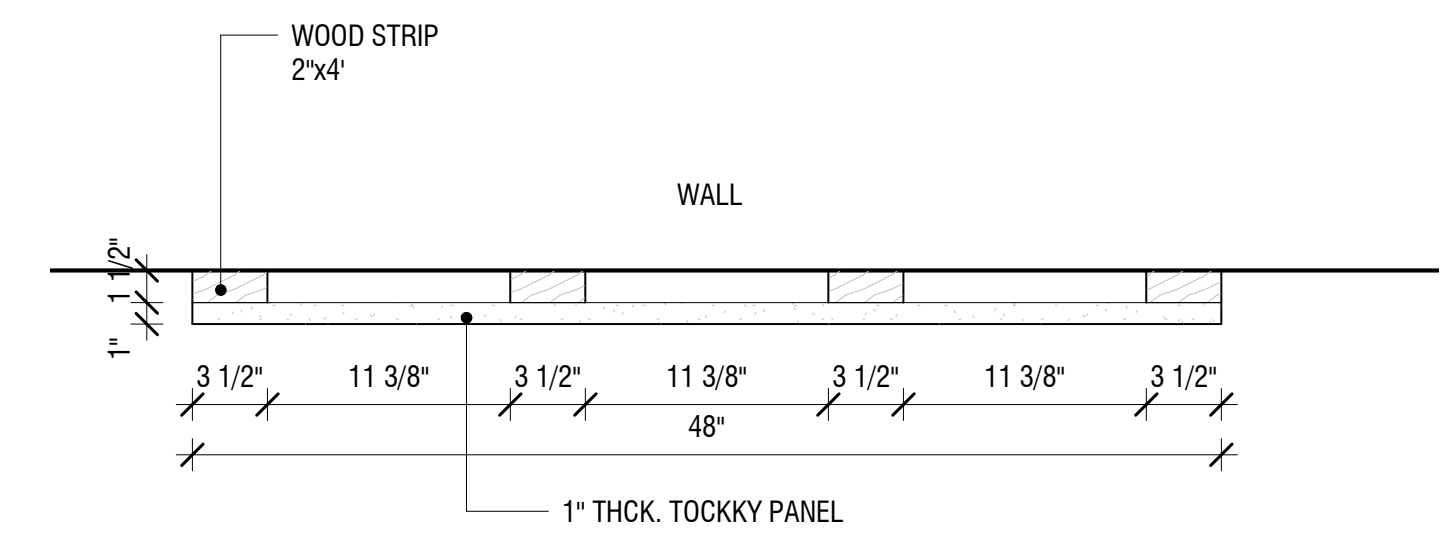


Product 1 - Tockky Acoustical Flat Panels

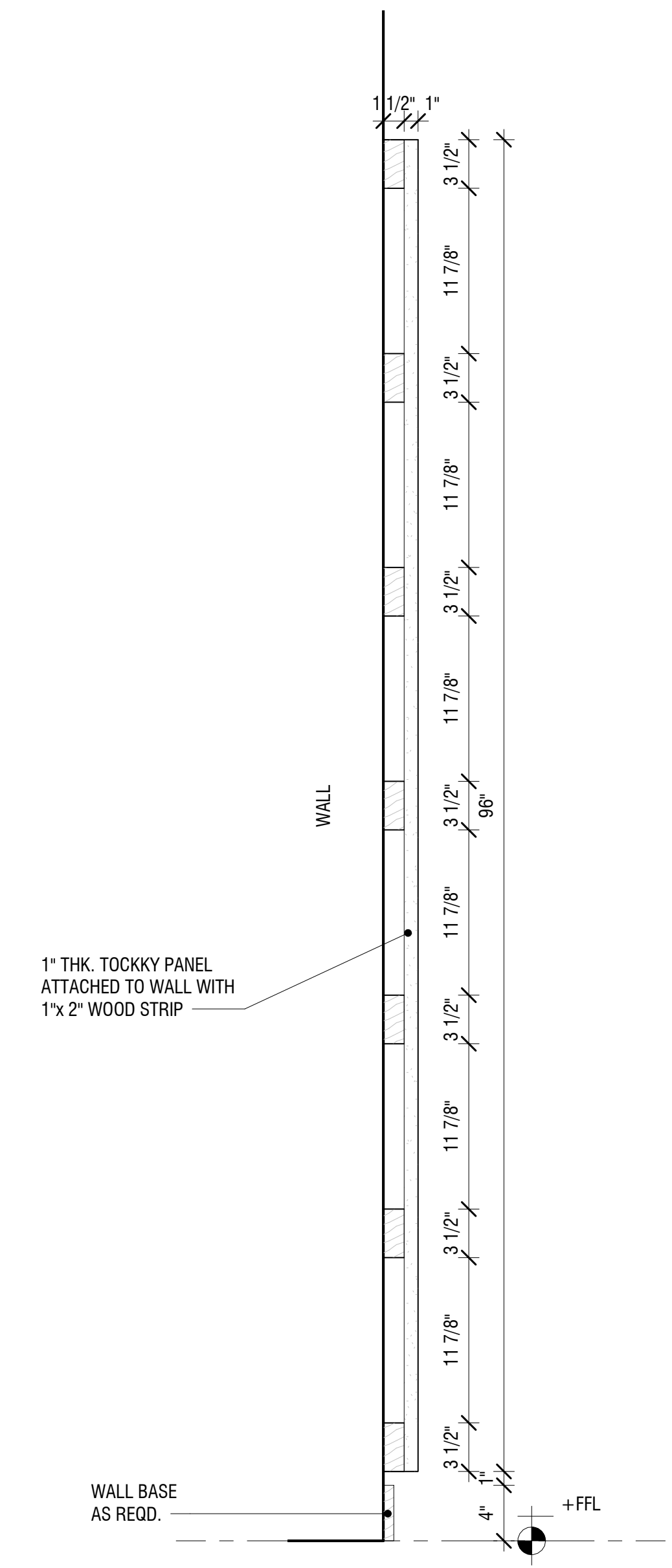
DATE:
DRAWN BY:
DRAWING TITLE: 1" TOCKKY PANELS W/ADHESIVE
PROJECT NUMBER:
DRAWING NUMBER: 1.3



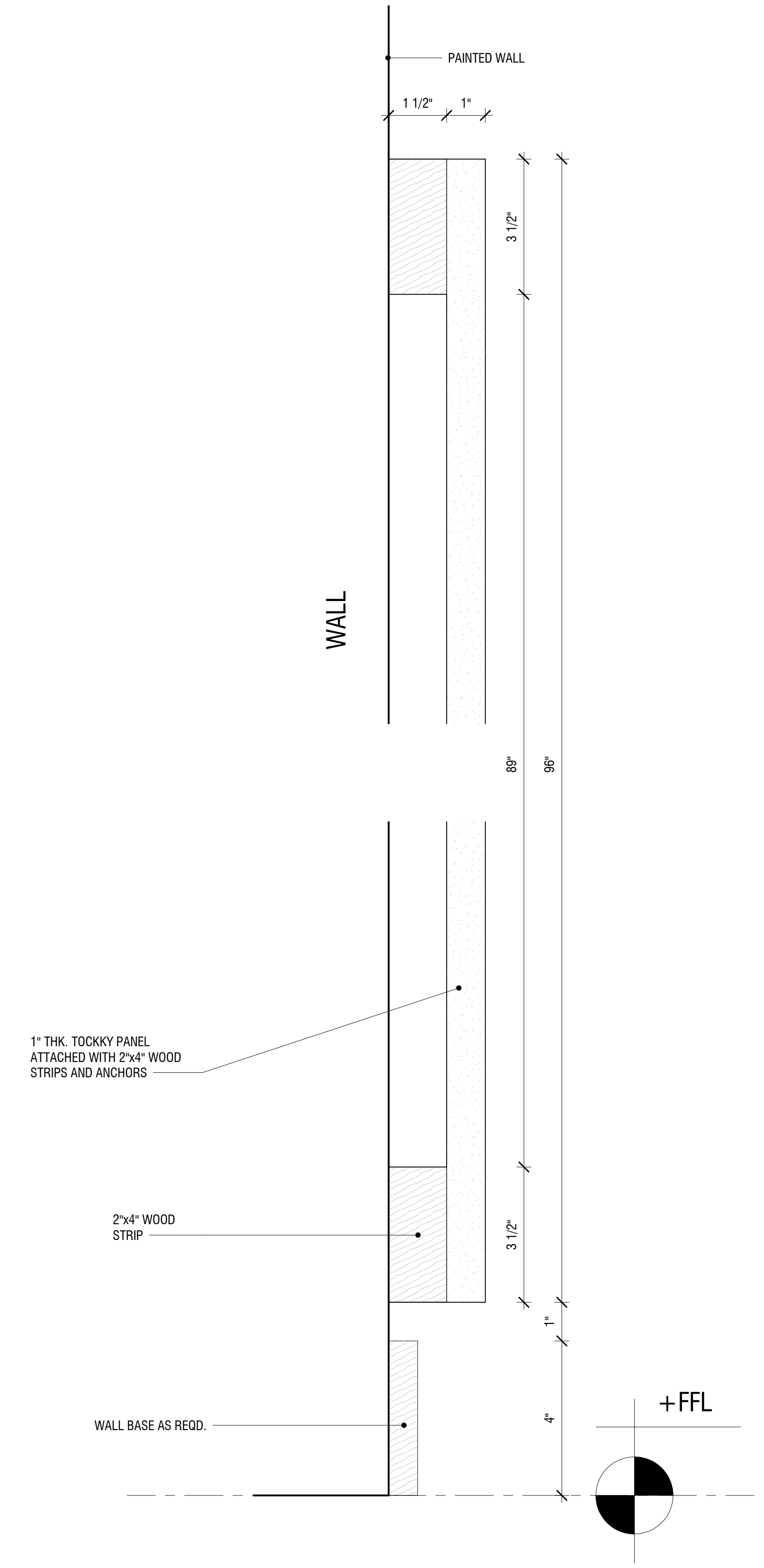
② 1" TOCKKY PANEL WITH 2"x4" WOOD STRIPS AND ANCHORS - ELEVATION  
1 1/2" = 1'-0"



① 1" TOCKKY PANEL WITH 2"x4" WOOD STRIPS AND ANCHORS - PLAN VIEW  
1 1/2" = 1'-0"



③ 1" TOCKKY PANEL WITH 2"x4" WOOD STRIPS AND ANCHORS - TYP. SECTION  
1 1/2" = 1'-0"



④ 1" TOCKKY PANEL WITH 2"x4" WOOD STRIPS AND ANCHORS - SECTIONAL DETAIL  
6" = 1'-0"

Product 1 - Tockky Acoustical Flat Panles

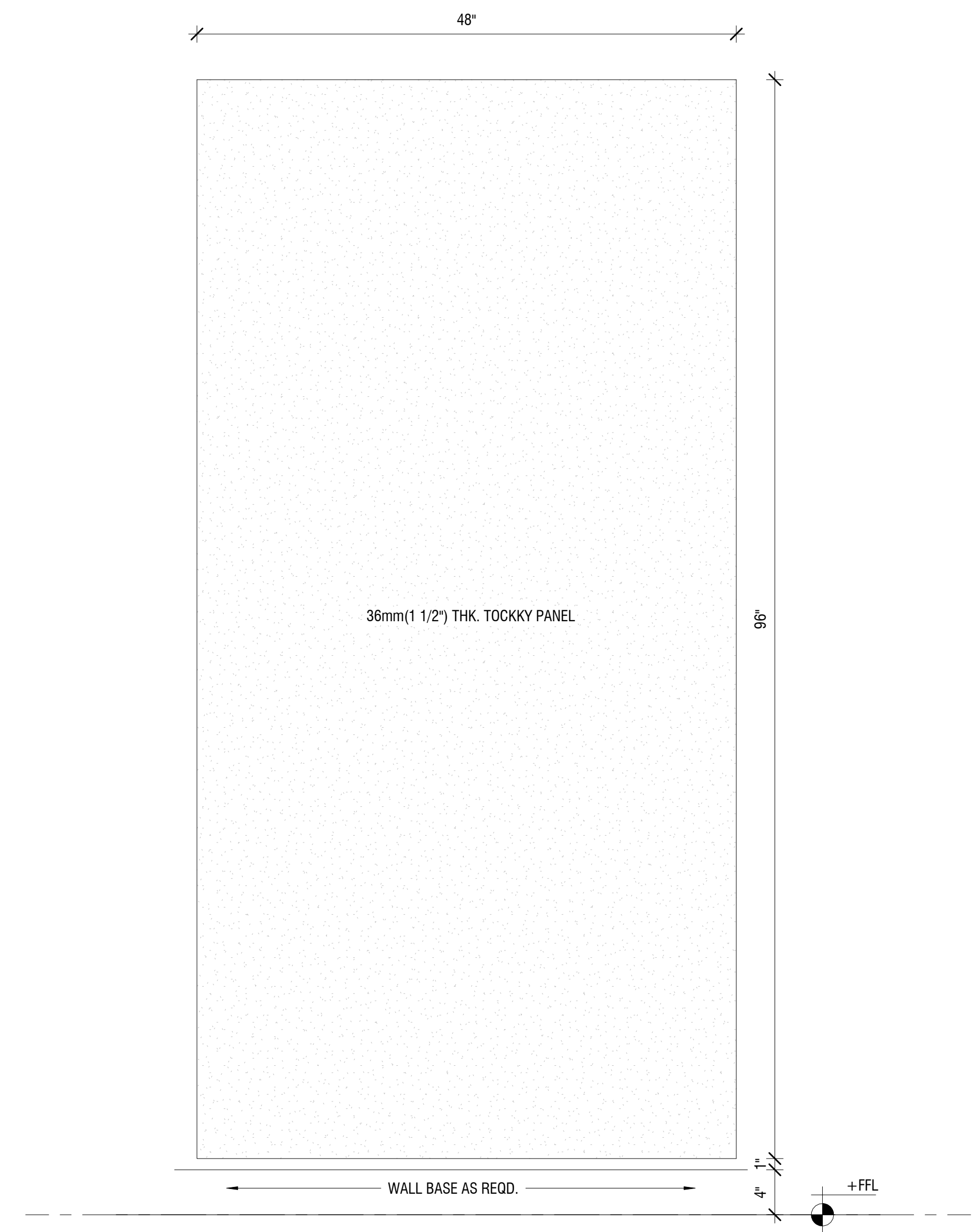


NO.	REVISIONS:
1	SUBMISSION FOR APPROVAL
2	
3	
4	

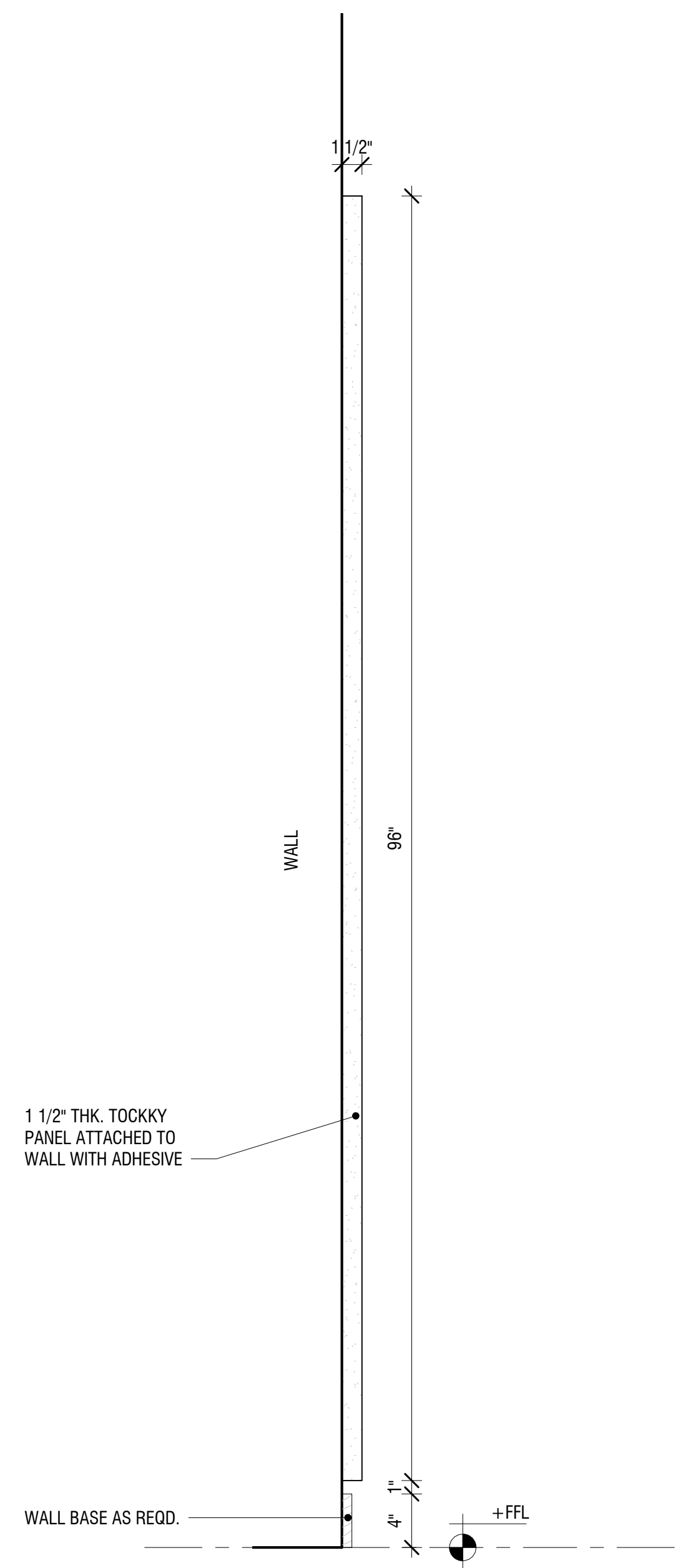
DATE:	
NAME:	

DATE:	
DRAWN BY:	
DRAWING TITLE:	1" TOCKKY PANEL W/WOOD STRIPS
PROJECT NUMBER:	
DRAWING NUMBER:	2.3

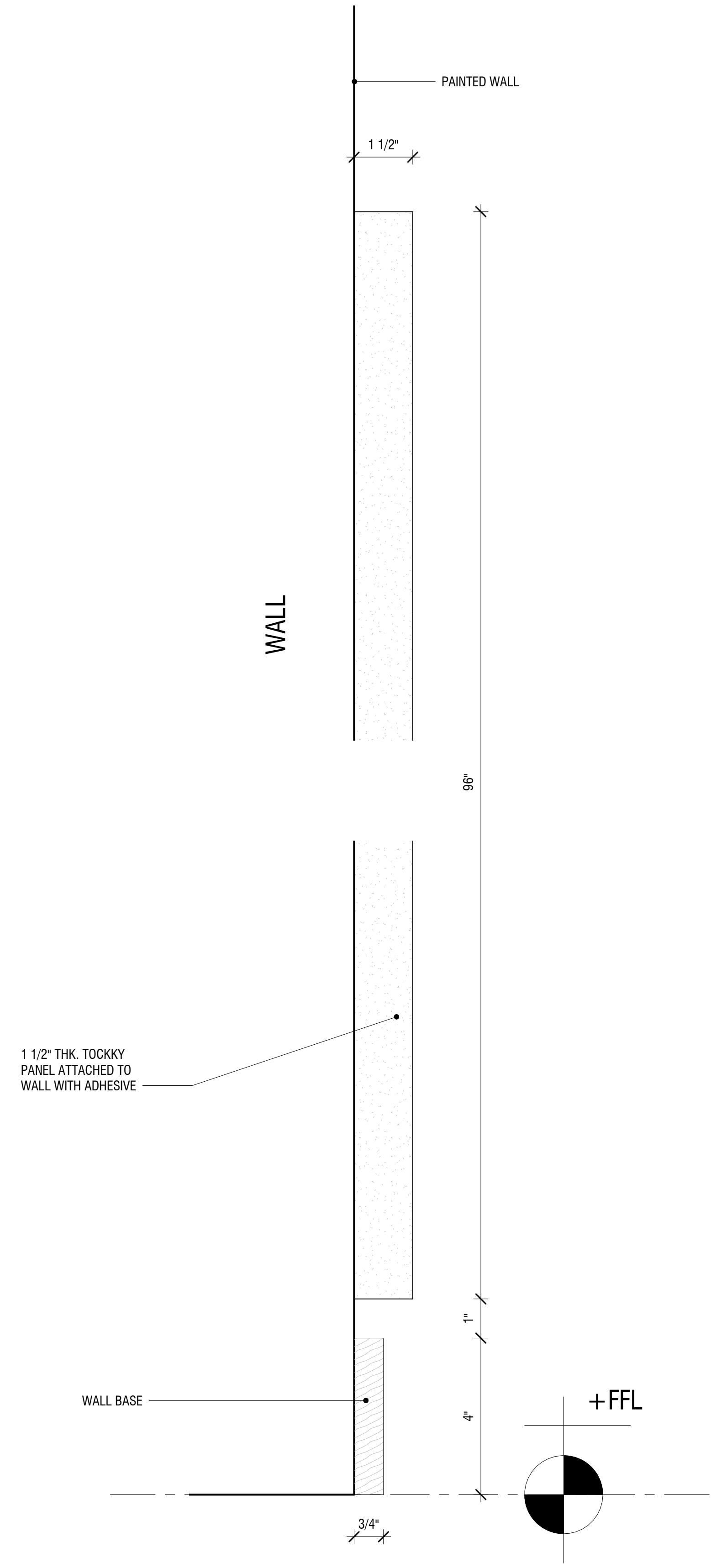




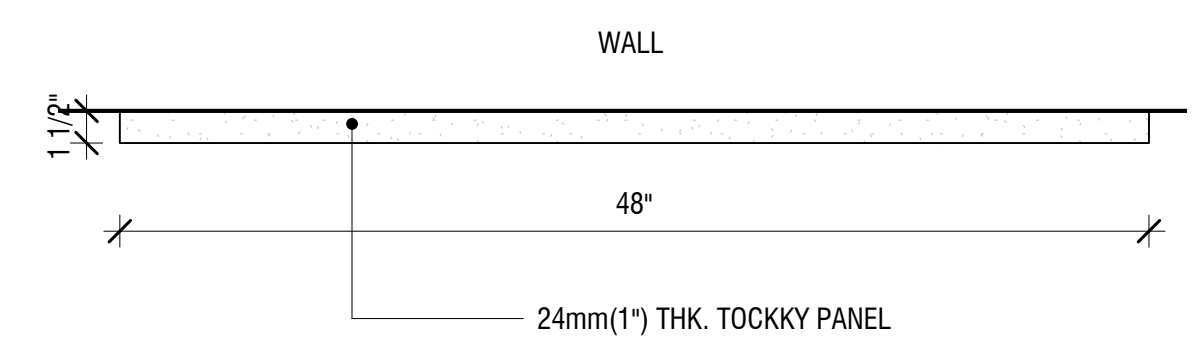
② 1 1/2" TOCKKY PANEL ATTACHED WITH ADHESIVE - ELEVATION  
1 1/2" = 1'-0"



③ 1 1/2" TOCKKY PANEL ATTACHED WITH ADHESIVE - TYP. SECTION  
1 1/2" = 1'-0"



④ 1 1/2" TOCKKY PANEL ATTACHED WITH ADHESIVE - SECTIONAL DETAIL  
6" = 1'-0"



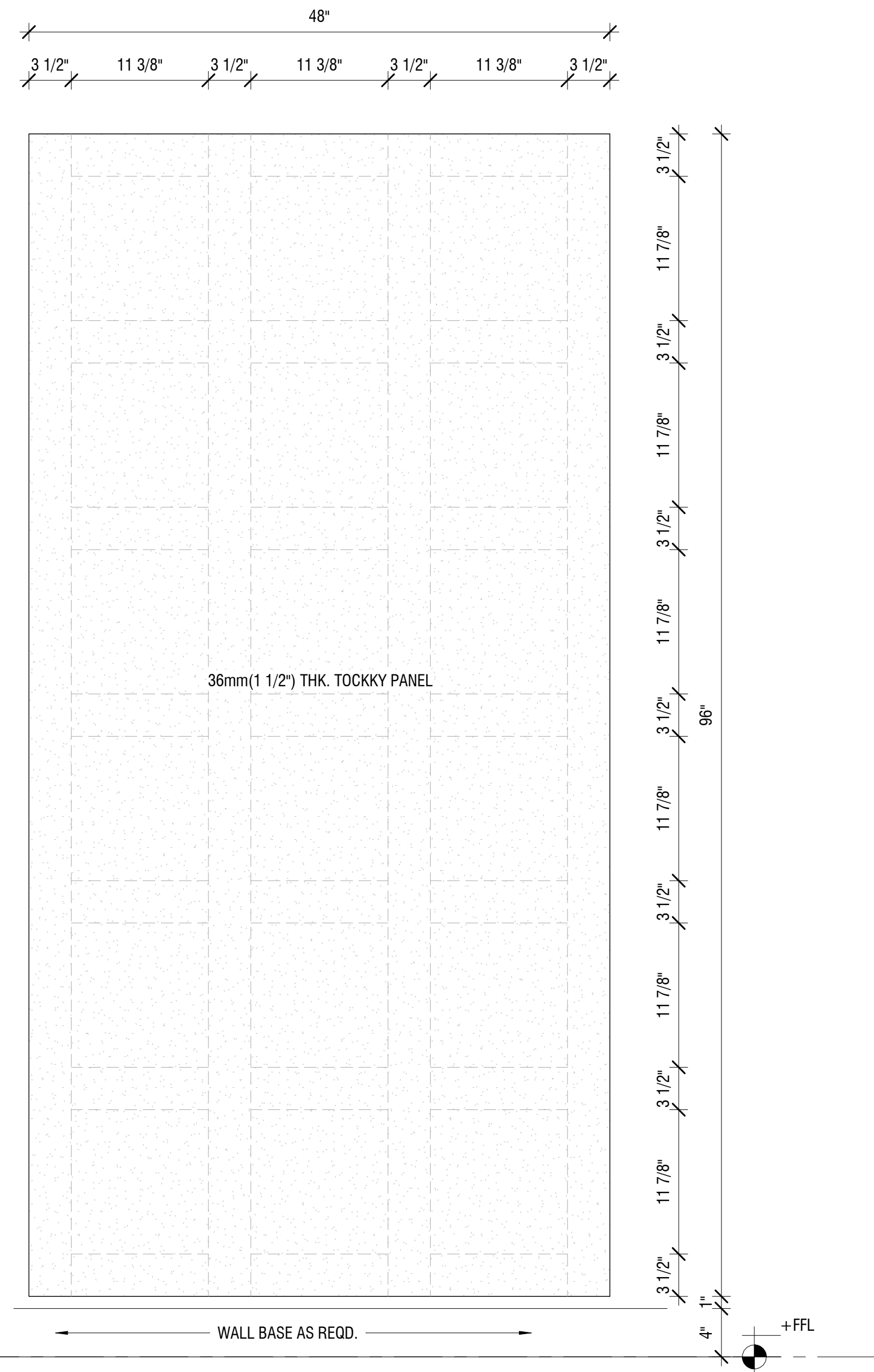
① 1 1/2" TOCKKY PANEL ATTACHED WITH ADHESIVE - PLAN VIEW  
1 1/2" = 1'-0"

NO.	REVISIONS:	DATE:
1	SUBMISSION FOR APPROVAL	
2		
3		
4		

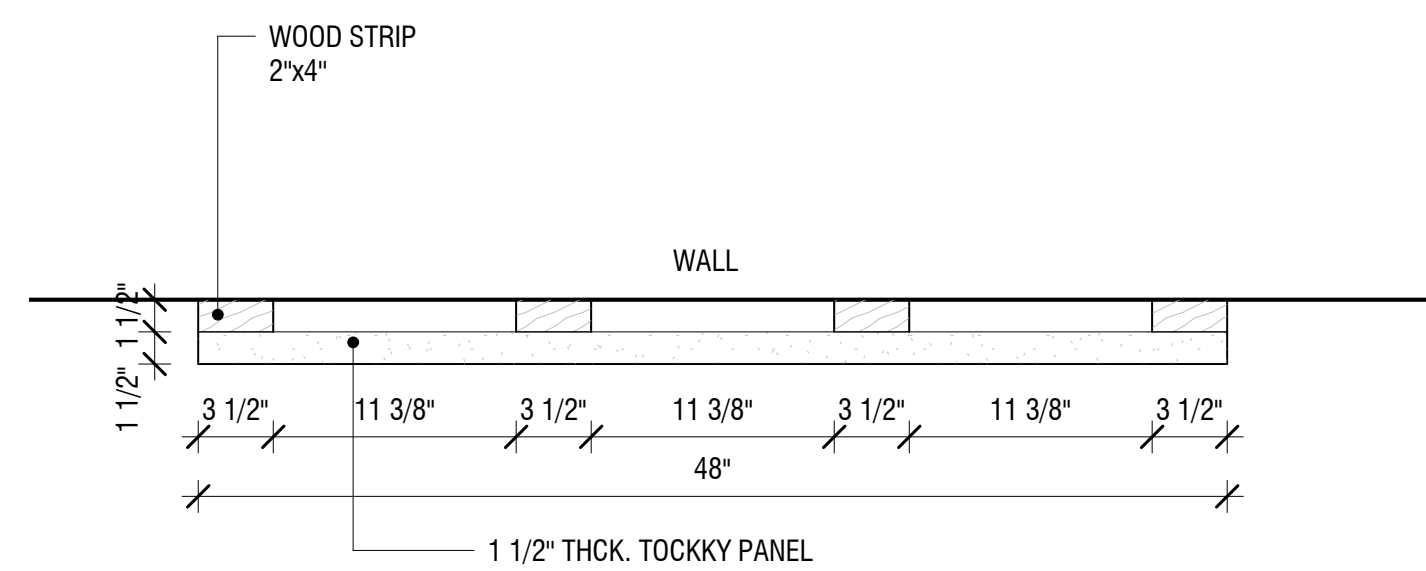


Product 1 - Tockky Acoustical Flat Panles

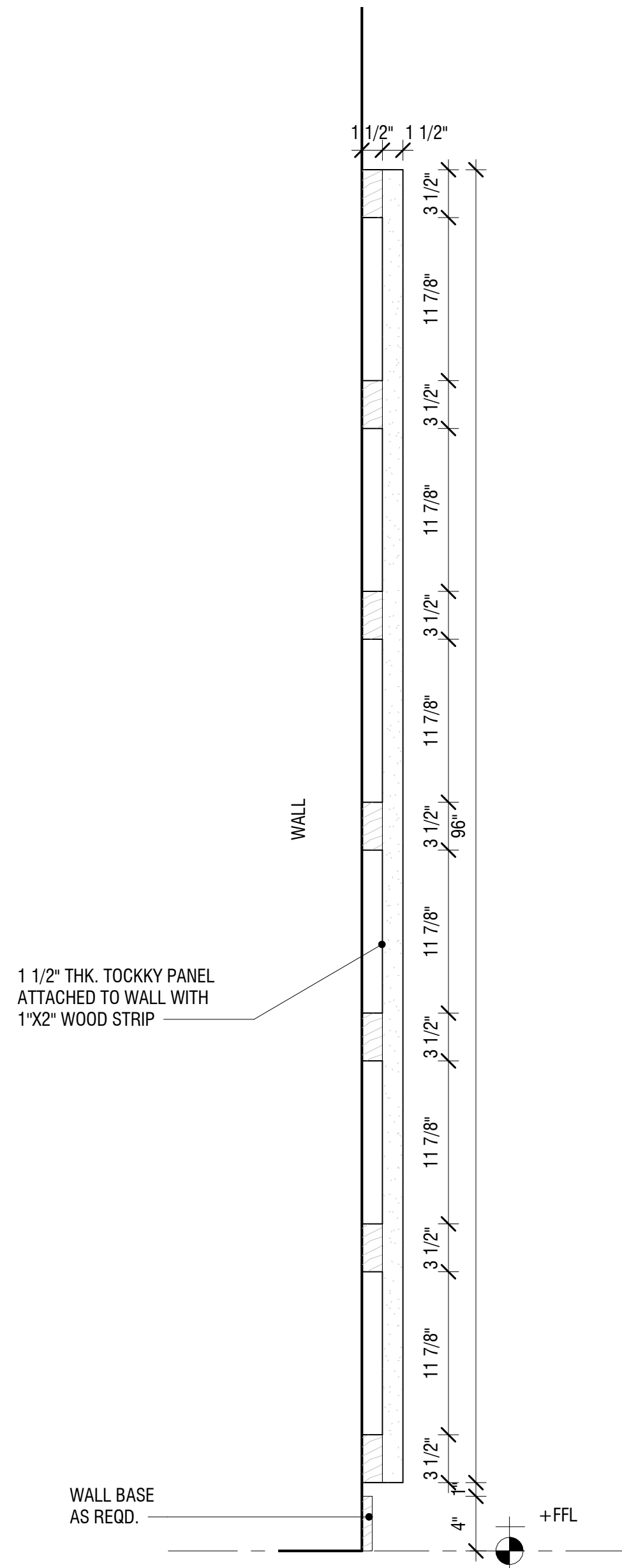
DATE:
DRAWN BY:
DRAWING TITLE: 1 1/2" TOCKKY PANELS W/ADHESIVE
PROJECT NUMBER:
DRAWING NUMBER: 1.4



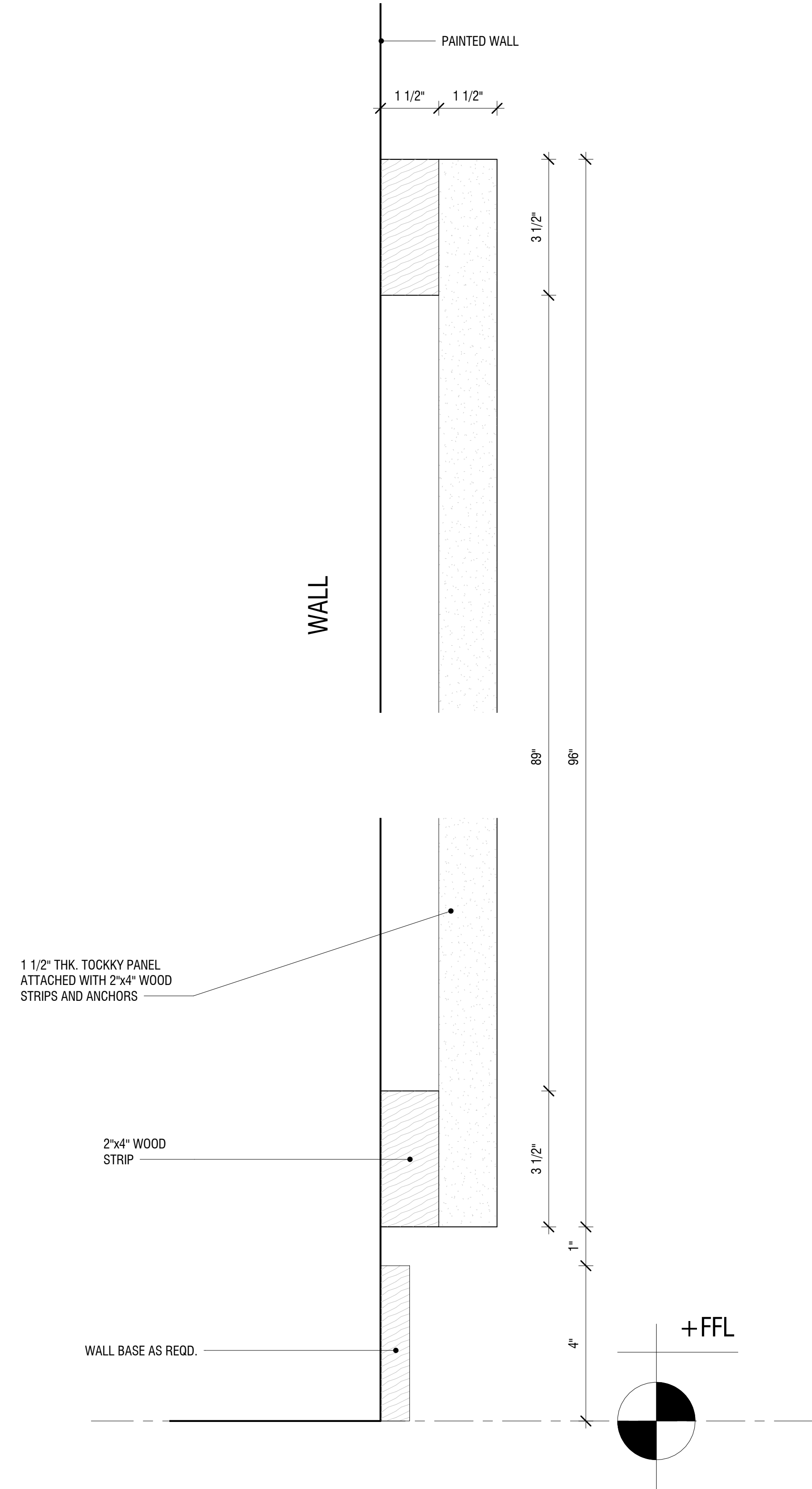
② 1 1/2" TOCKKY PANEL WITH 2"x4" WOOD STRIPS AND ANCHORS - ELEVATION  
1 1/2" = 1'-0"



① 1 1/2" TOCKKY PANEL WITH 2"x4" WOOD STRIPS AND ANCHORS - PLAN VIEW  
1 1/2" = 1'-0"



③ 1 1/2" TOCKKY PANEL WITH 2"x4" WOOD STRIPS AND ANCHORS - TYP. SECTION  
1 1/2" = 1'-0"



④ 1 1/2" TOCKKY PANEL WITH 2"x4" WOOD STRIPS AND ANCHORS - SECTIONAL DETAIL  
6" = 1'-0"

Product 1 - Tockky Acoustical Flat Panels



NO.	REVISIONS:
1	SUBMISSION FOR APPROVAL
2	
3	
4	

NAME:	DATE:

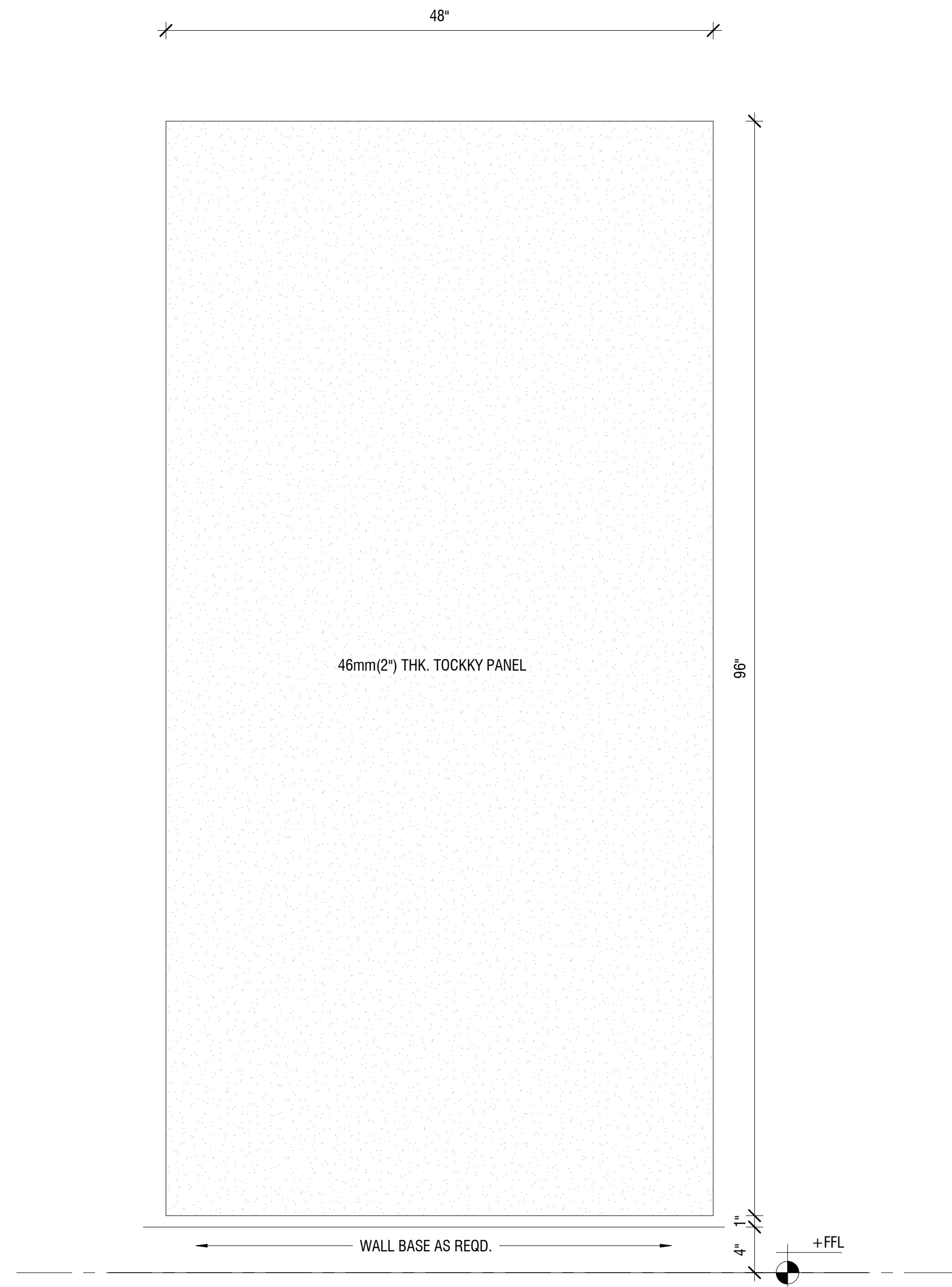
DATE:

DRAWN BY:

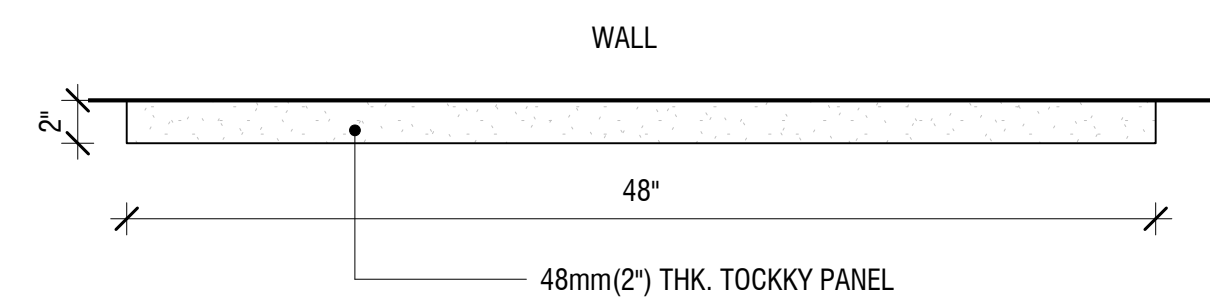
DRAWING TITLE:  
1 1/2" TOCKKY PANEL W/WOOD STRIPS

PROJECT NUMBER:

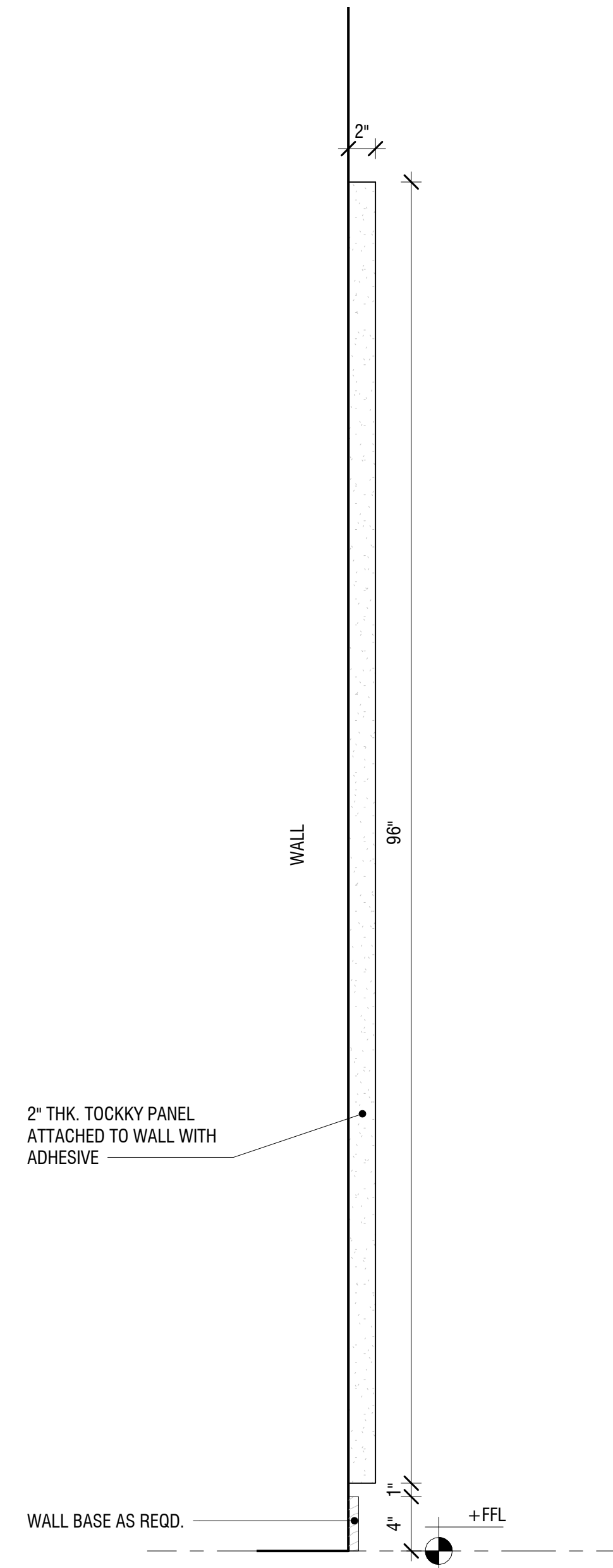
DRAWING NUMBER:



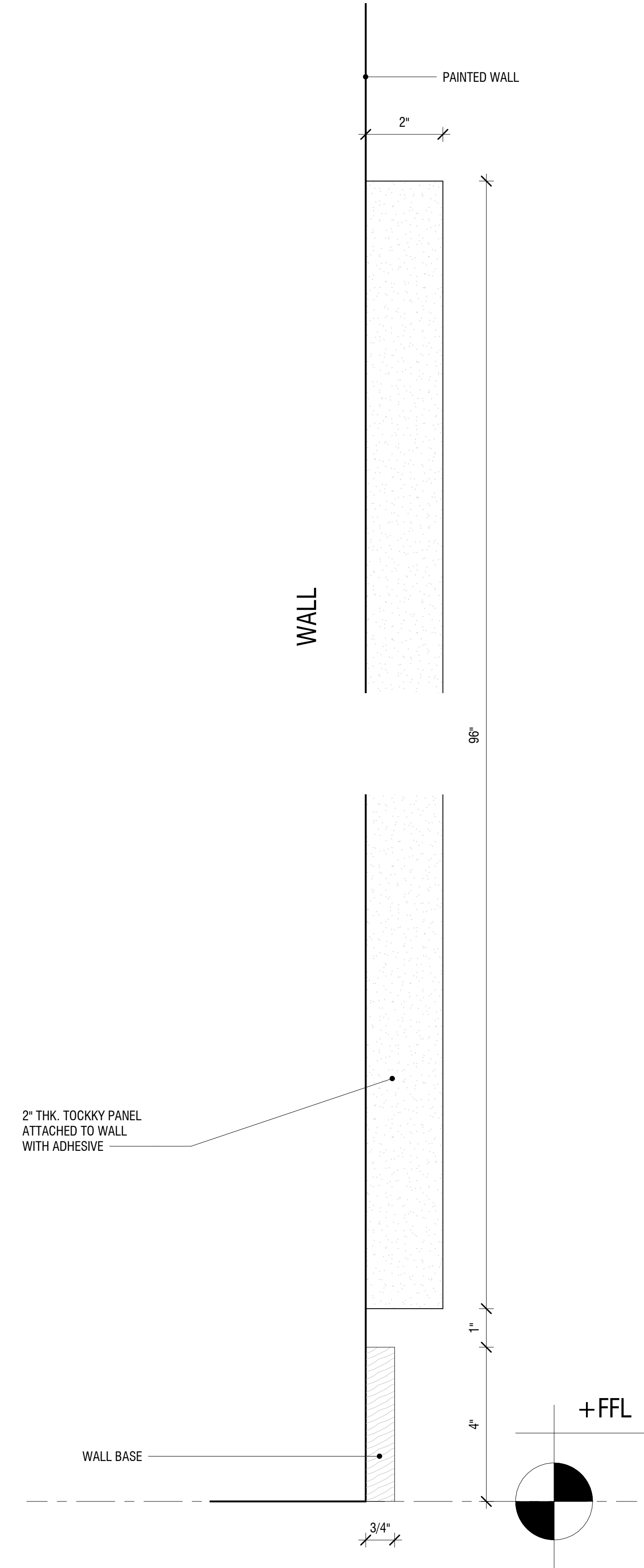
② 2" TOCKKY PANEL ATTACHED WITH ADHESIVE - ELEVATION  
1 1/2" = 1'-0"



① 2" TOCKKY PANEL ATTACHED WITH ADHESIVE - PLAN VIEW  
1 1/2" = 1'-0"



③ 2" TOCKKY PANEL ATTACHED WITH ADHESIVE - TYP. SECTION  
1 1/2" = 1'-0"



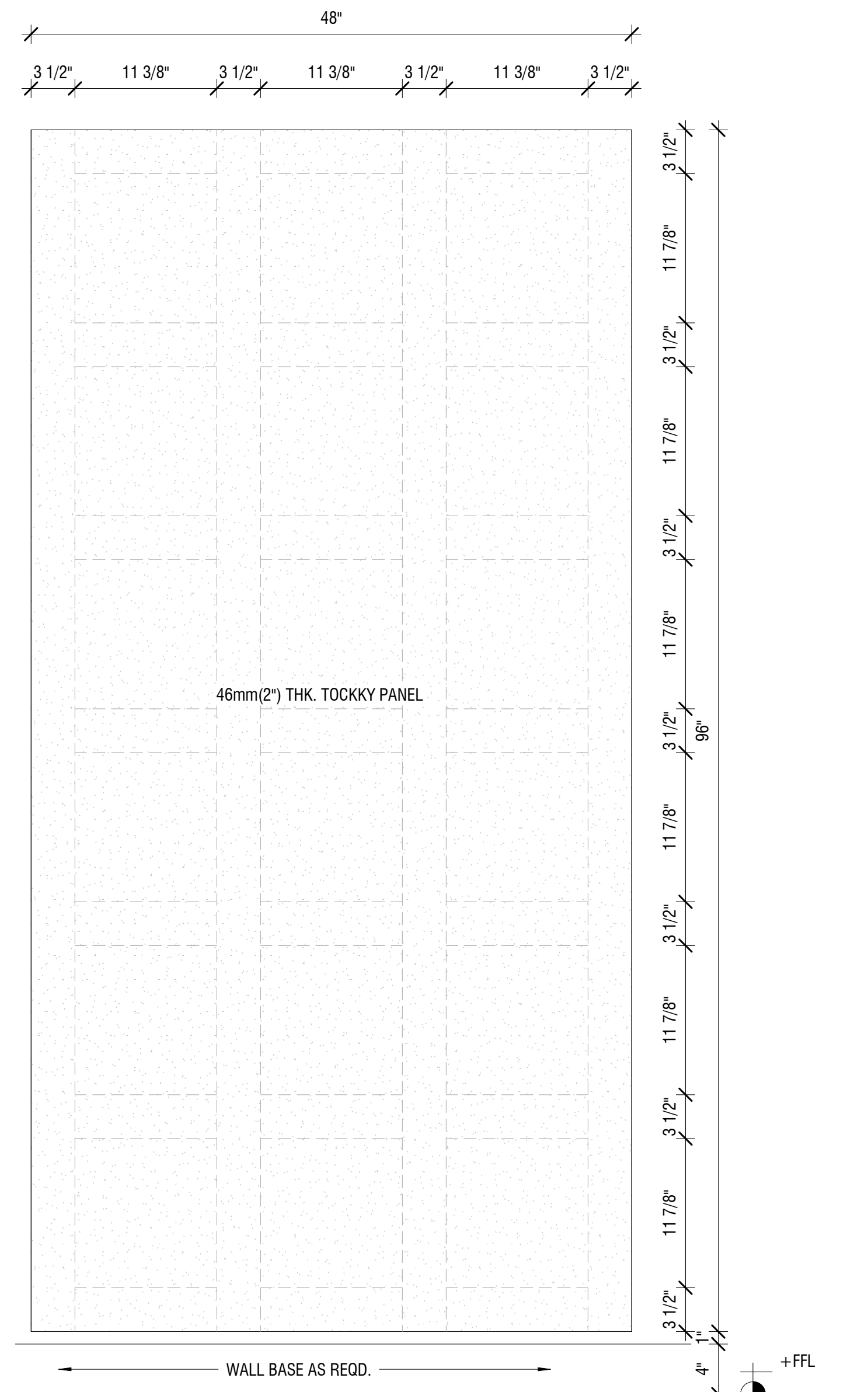
④ 2" TOCKKY PANEL ATTACHED WITH ADHESIVE - SECTIONAL DETAIL  
6" = 1'-0"

NO.	REVISIONS:	DATE:
1	SUBMISSION FOR APPROVAL	
2		
3		
4		

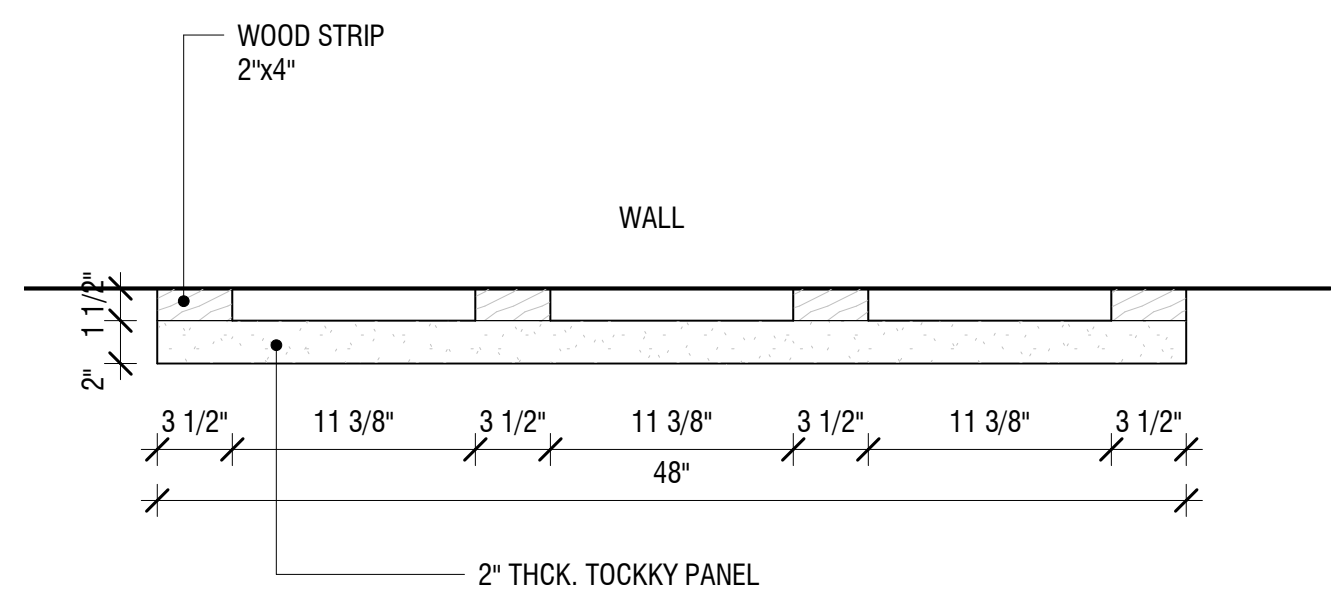


Product 1 - Tockky Acoustical Flat Panels

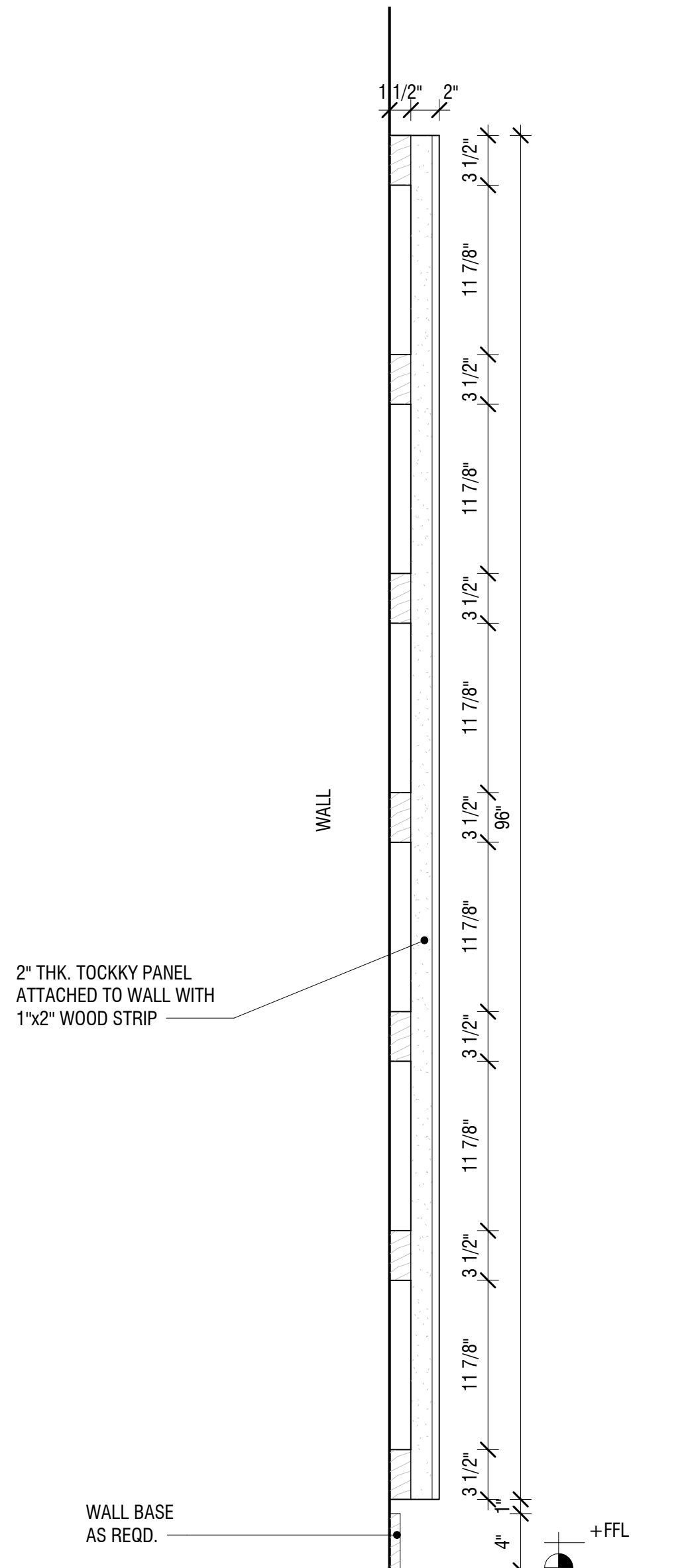
DATE:
DRAWN BY:
DRAWING TITLE: 2" TOCKKY PANELS W/ADHESIVE
PROJECT NUMBER:
DRAWING NUMBER:  1.5



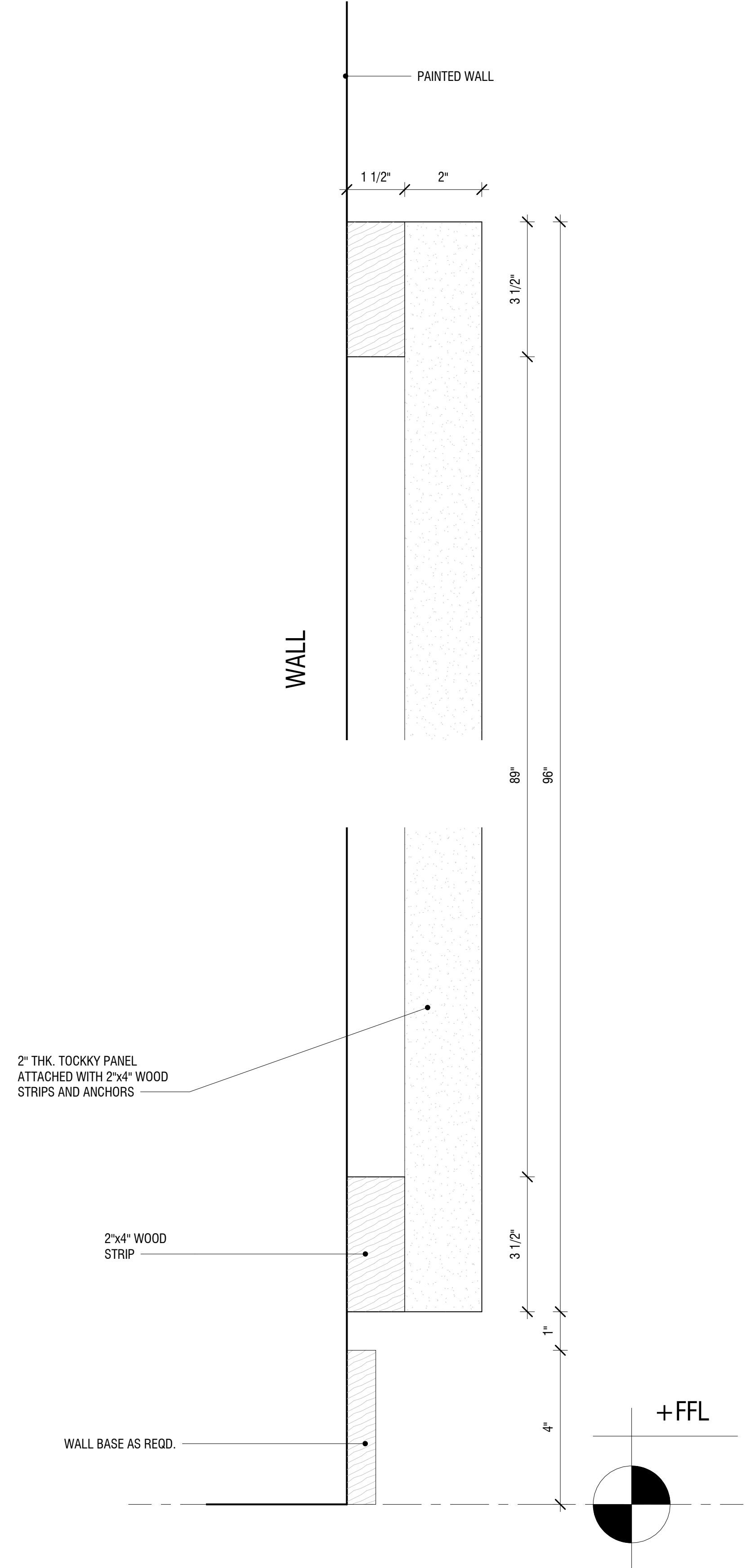
② 2" TOCKKY PANEL WITH 2"x4" WOOD STRIPS AND ANCHORS - ELEVATION  
1 1/2" = 1'-0"



① 2" TOCKKY PANEL WITH 2"x4" WOOD STRIPS AND ANCHORS - PLAN VIEW  
1 1/2" = 1'-0"



③ 2" TOCKKY PANEL WITH 2"x4" WOOD STRIPS AND ANCHORS - TYP. SECTION  
1 1/2" = 1'-0"



④ 2" TOCKKY PANEL WITH 2"x4" WOOD STRIPS AND ANCHORS - SECTIONAL DETAIL  
6" = 1'-0"

DATE:	
NAME:	

NO.	REVISIONS:
1	SUBMISSION FOR APPROVAL
2	
3	
4	



Product 1 - Tockky Acoustical Flat Panels

DATE:

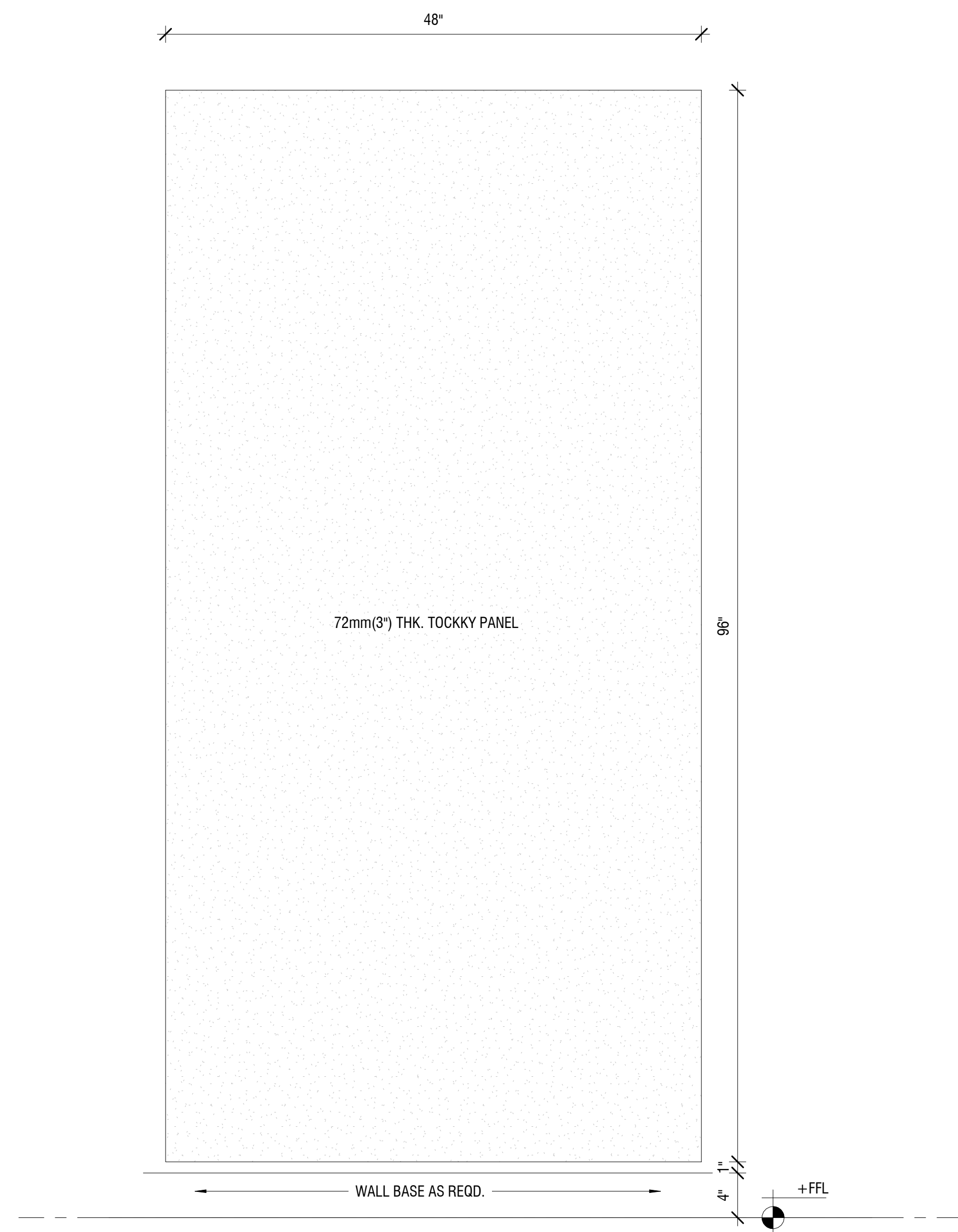
DRAWN BY:

DRAWING TITLE:  
2" TOCKKY PANEL W/WOOD STRIPS

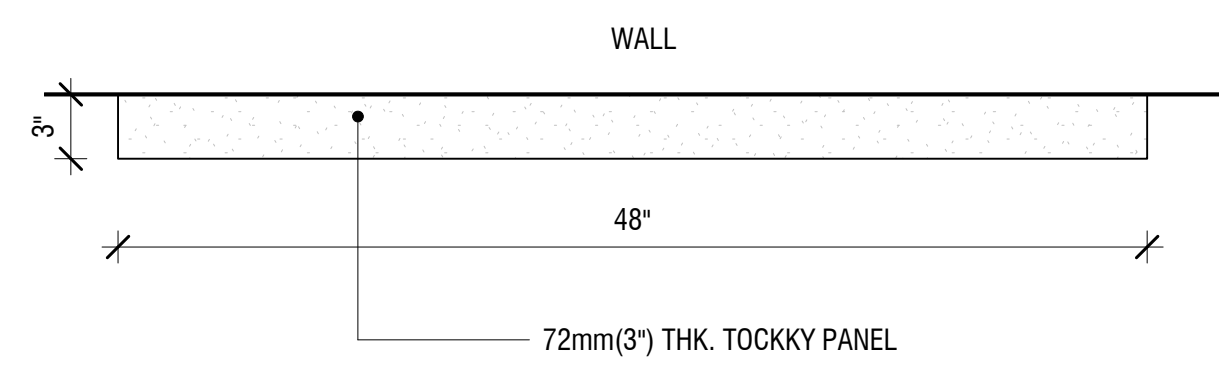
PROJECT NUMBER:

DRAWING NUMBER:

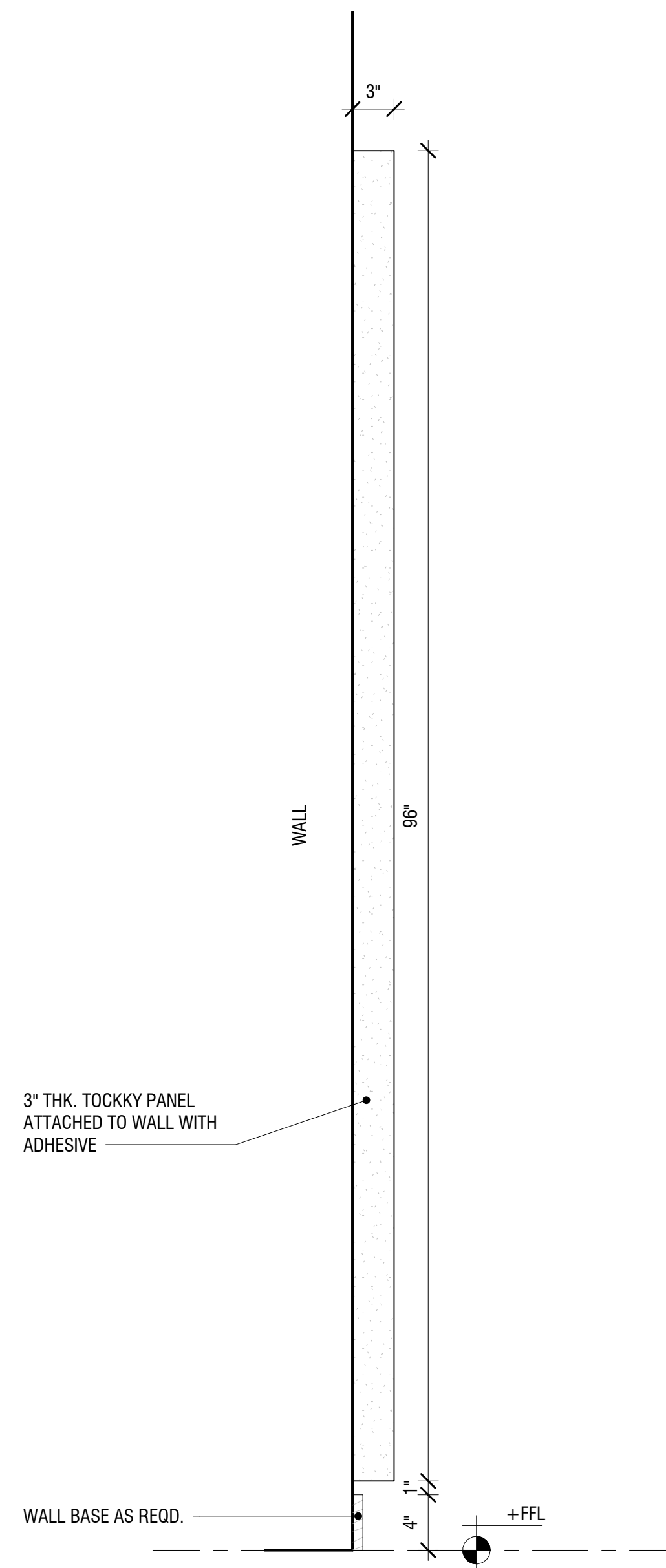




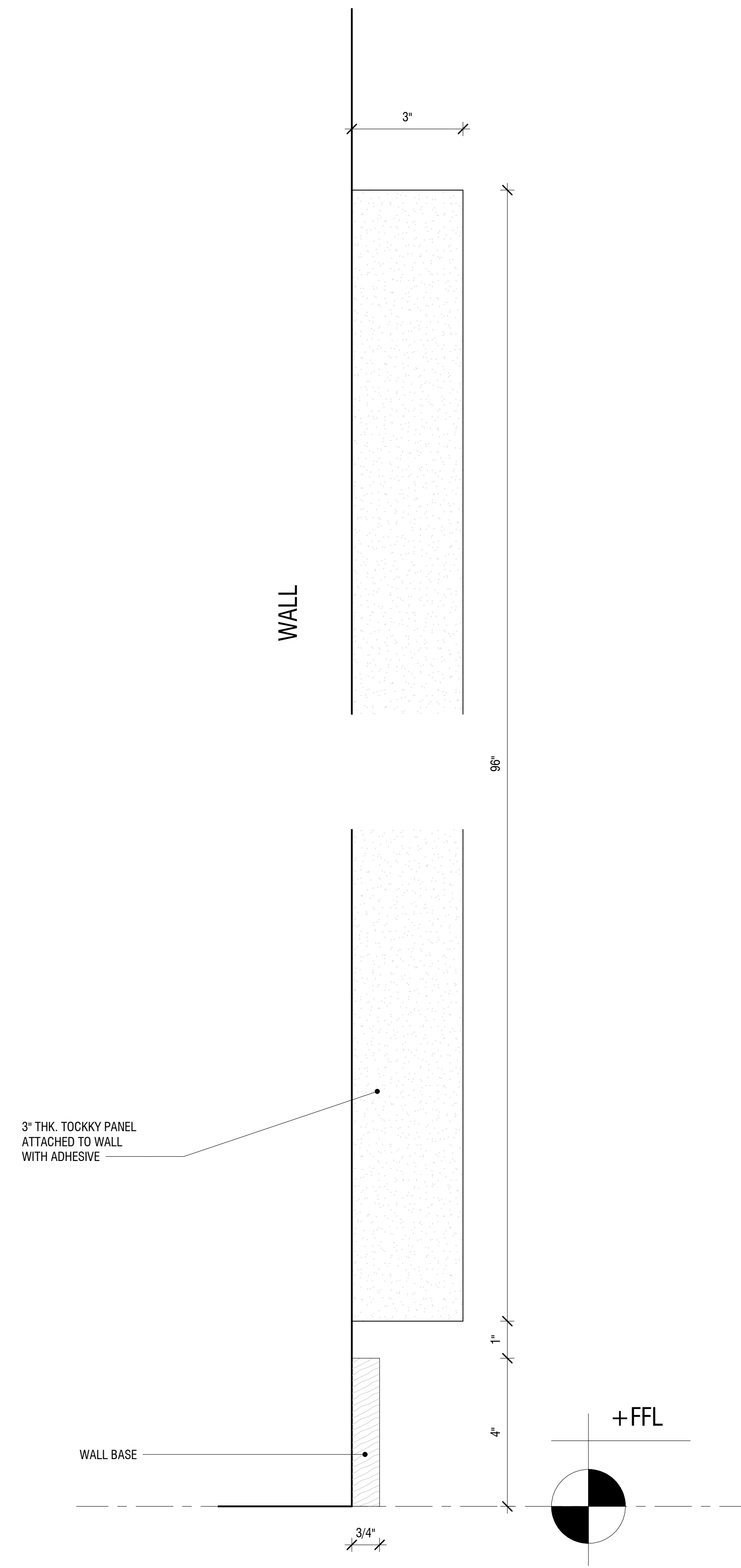
② 3" TOCKKY PANEL ATTACHED WITH ADHESIVE - ELEVATION  
1 1/2" = 1'-0"



① 3" TOCKKY PANEL ATTACHED WITH ADHESIVE - PLAN VIEW  
1 1/2" = 1'-0"



③ 3" TOCKKY PANEL ATTACHED WITH ADHESIVE - TYP. SECTION  
1 1/2" = 1'-0"



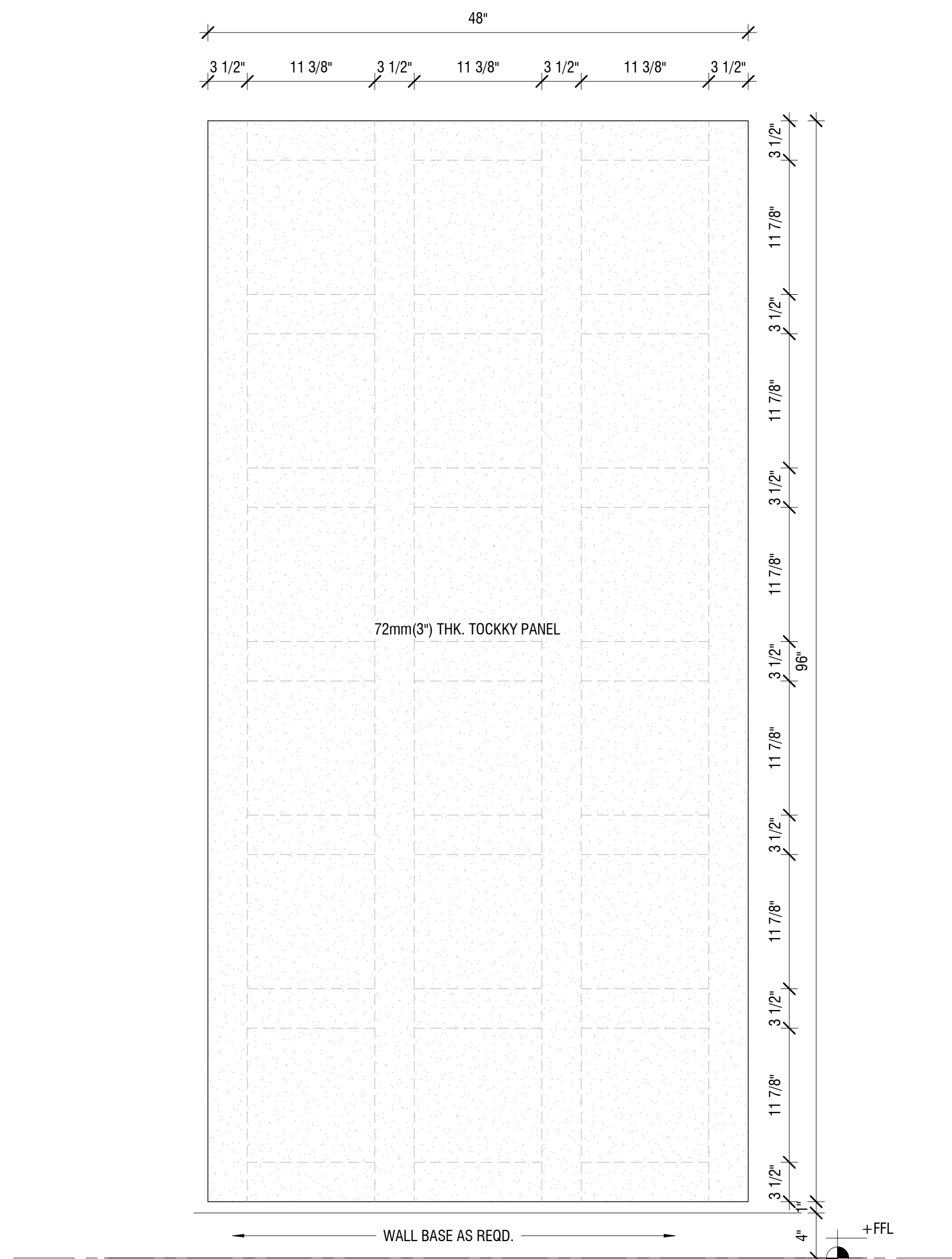
④ 3" TOCKKY PANEL ATTACHED WITH ADHESIVE - SECTIONAL DETAIL  
6" = 1'-0"

NO.	REVISIONS:	NAME:	DATE:
1	SUBMISSION FOR APPROVAL		
2			
3			
4			

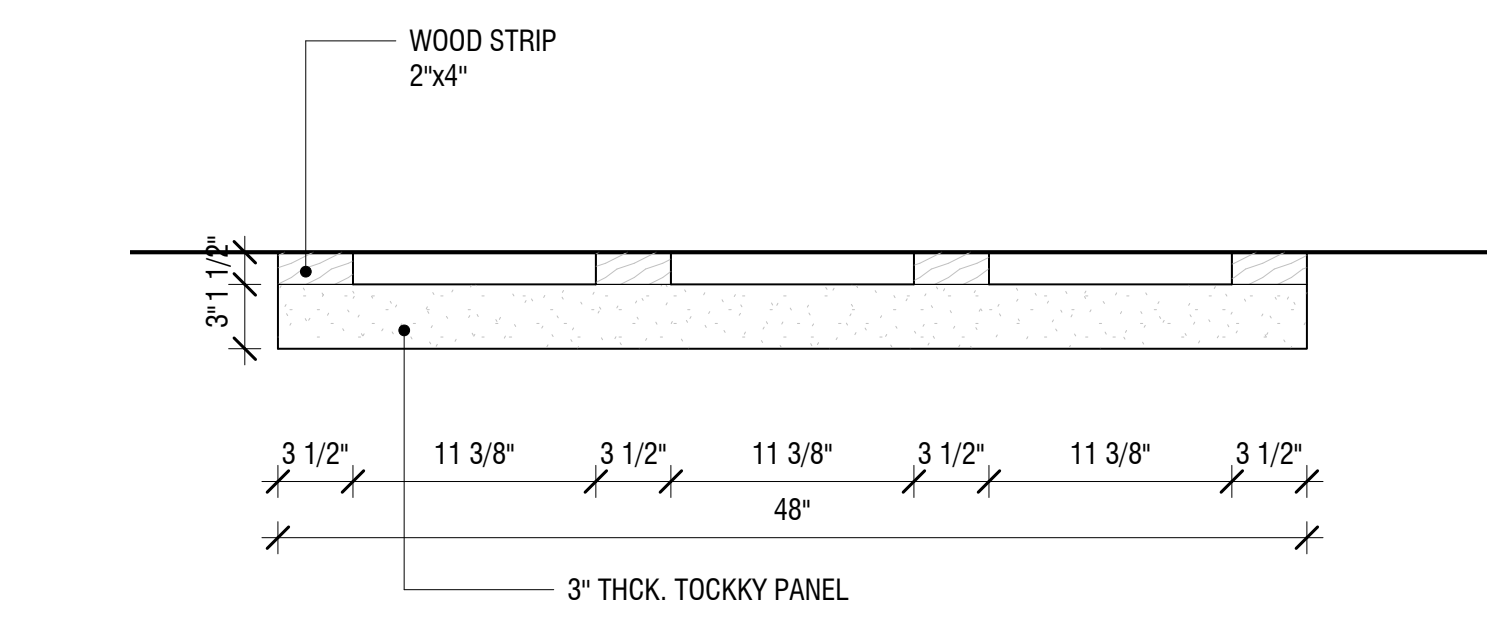


Product 1 - Tockky Acoustical Flat Panles

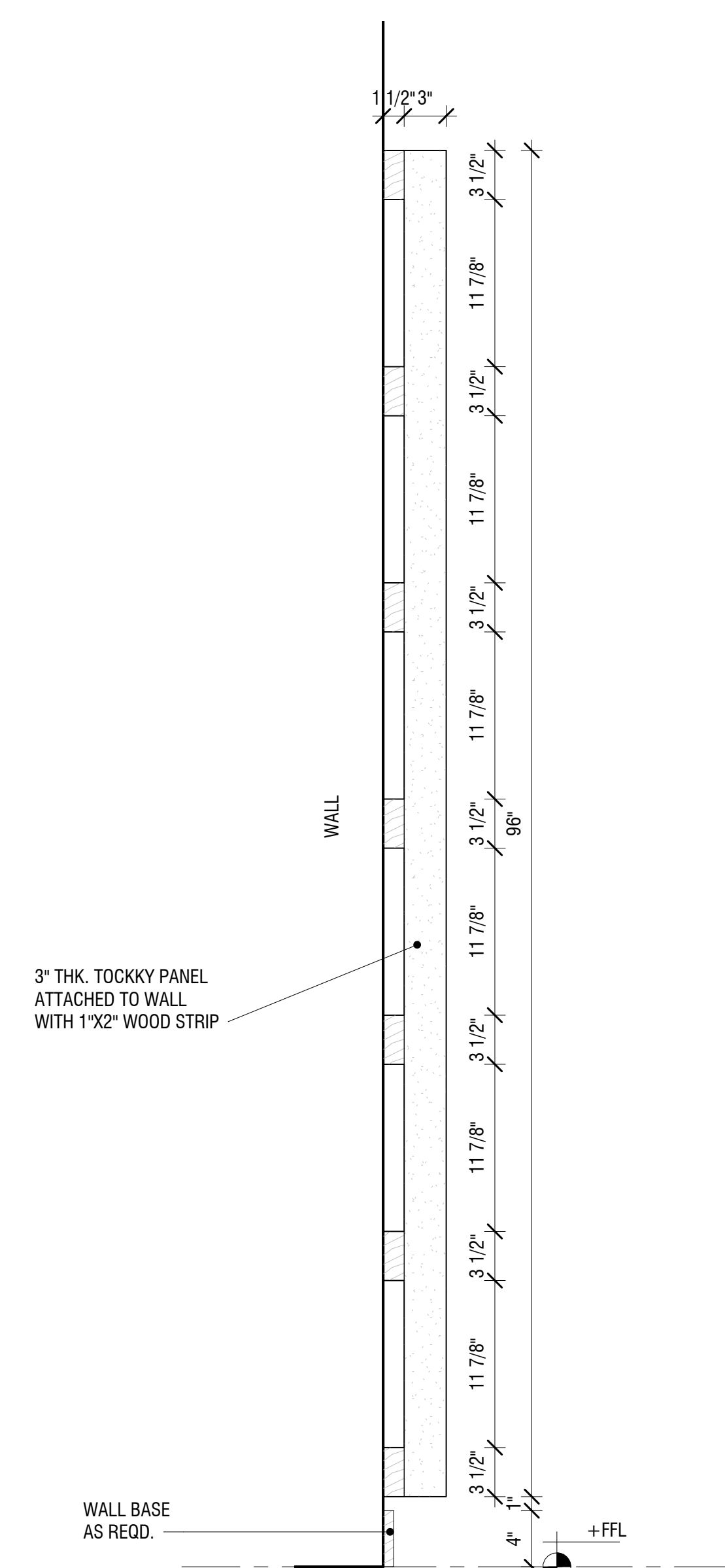
DATE:
DRAWN BY:
DRAWING TITLE: 3" TOCKKY PANELS W/ADHESIVE
PROJECT NUMBER:
DRAWING NUMBER:



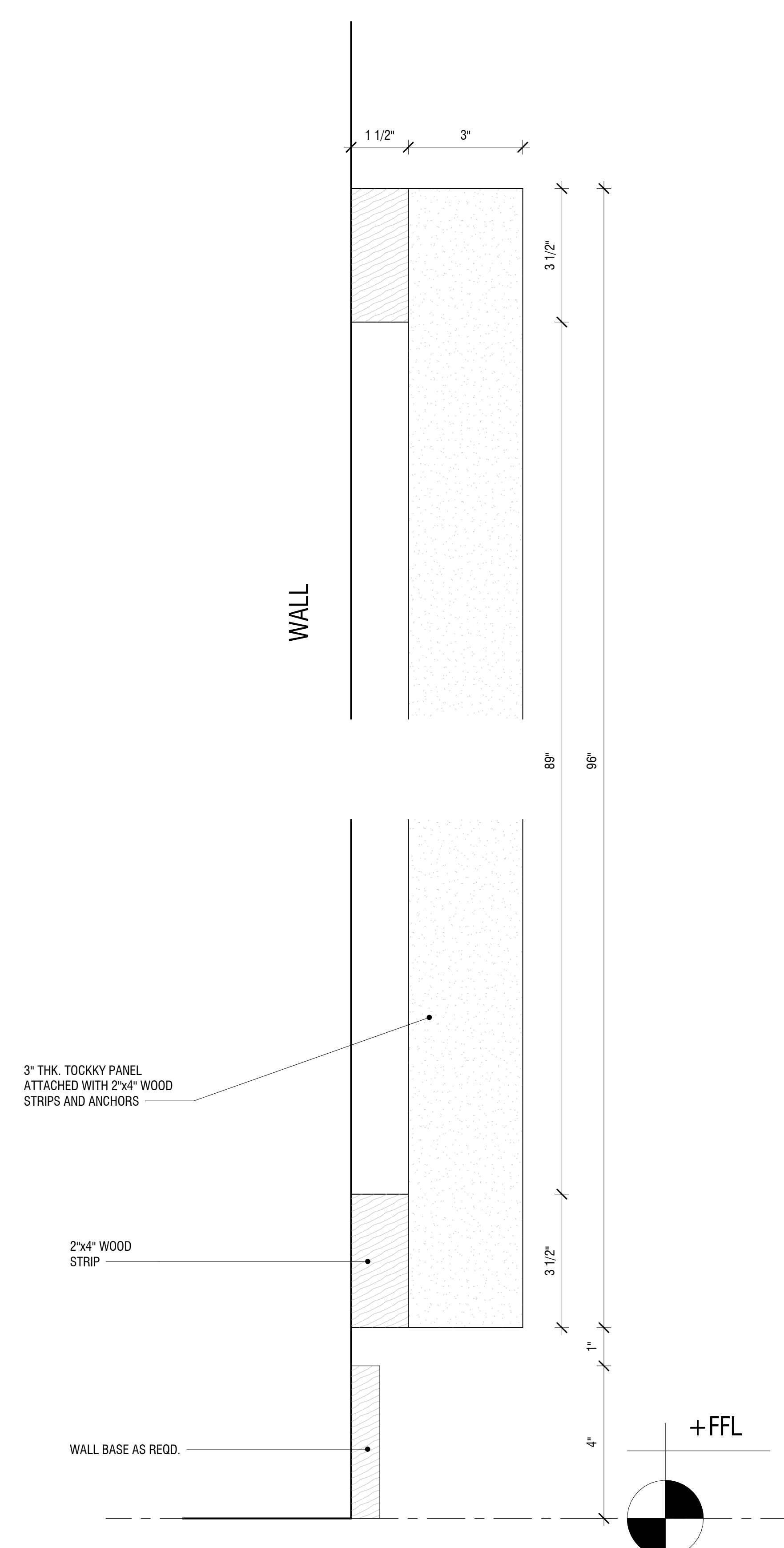
② 3" TOCKKY PANEL WITH 2"x4" WOOD STRIPS AND ANCHORS - ELEVATION  
1 1/2" = 1'-0"




① 3" TOCKKY PANEL WITH 2"x4" WOOD STRIPS AND ANCHORS - PLAN VIEW  
1 1/2" = 1'-0"



③ 3" TOCKKY PANEL WITH 2"x4" WOOD STRIPS AND ANCHORS - TYP. SECTION  
1 1/2" = 1'-0"



④ 3" TOCKKY PANEL WITH 2"x4" WOOD STRIPS AND ANCHORS - SECTIONAL DETAIL  
6" = 1'-0"

DATE:	
NAME:	
NO.:	REVISIONS:
1	SUBMISSION FOR APPROVAL
2	
3	
4	
	
<b>Product 1 - Tockky Acoustical Flat Panles</b>	
DATE:	
DRAWN BY:	
DRAWING TITLE:	3" TOCKKY PANEL W/WOOD STRIPS
PROJECT NUMBER:	
DRAWING NUMBER:	2.6