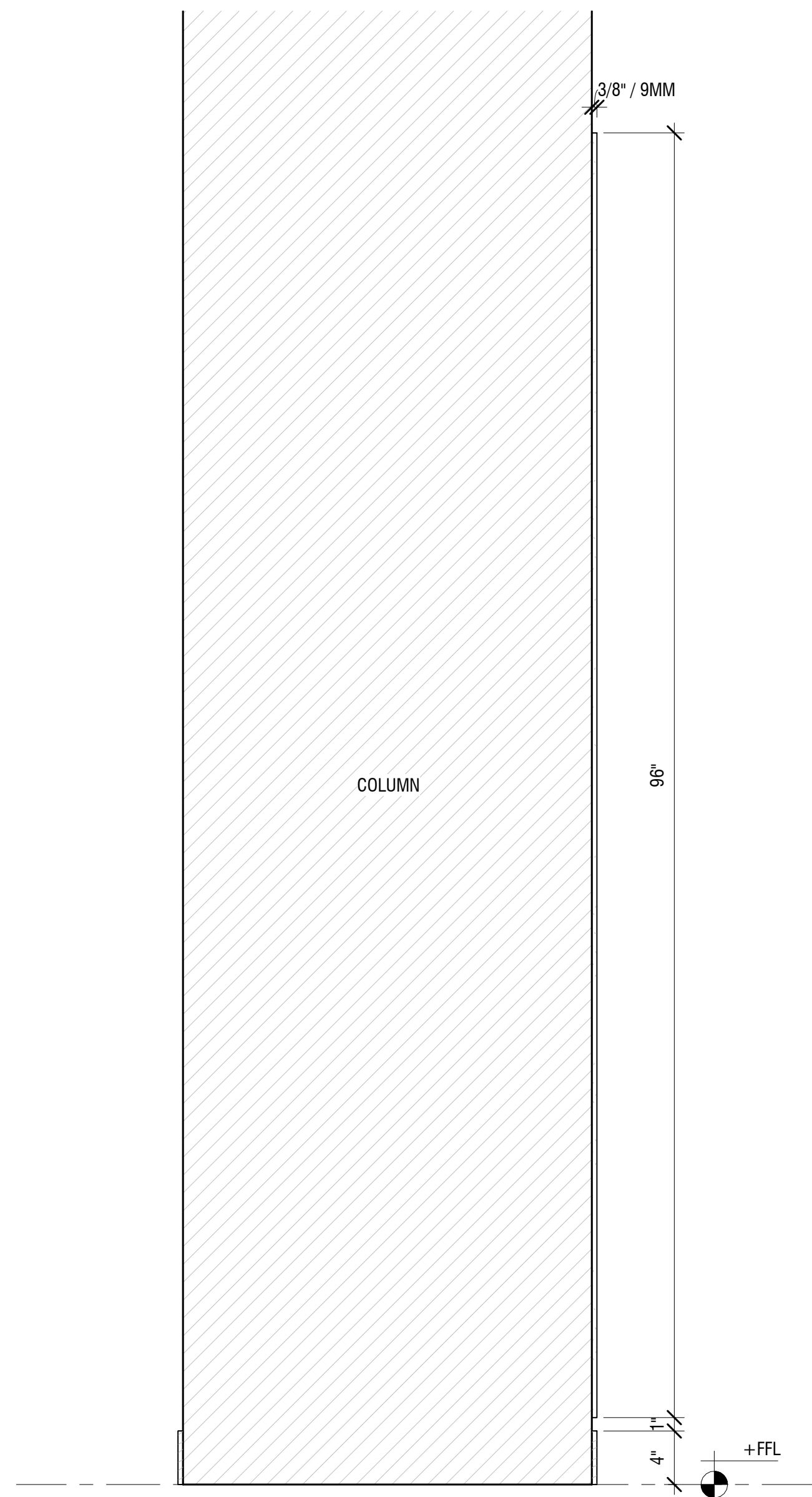
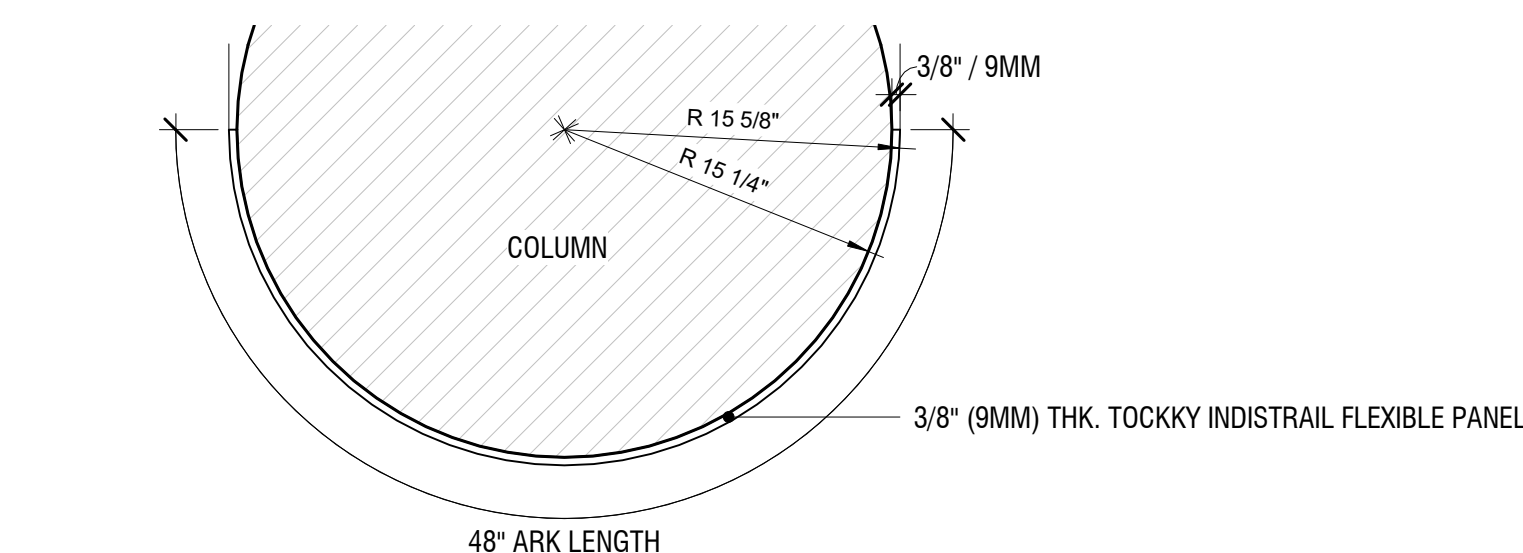


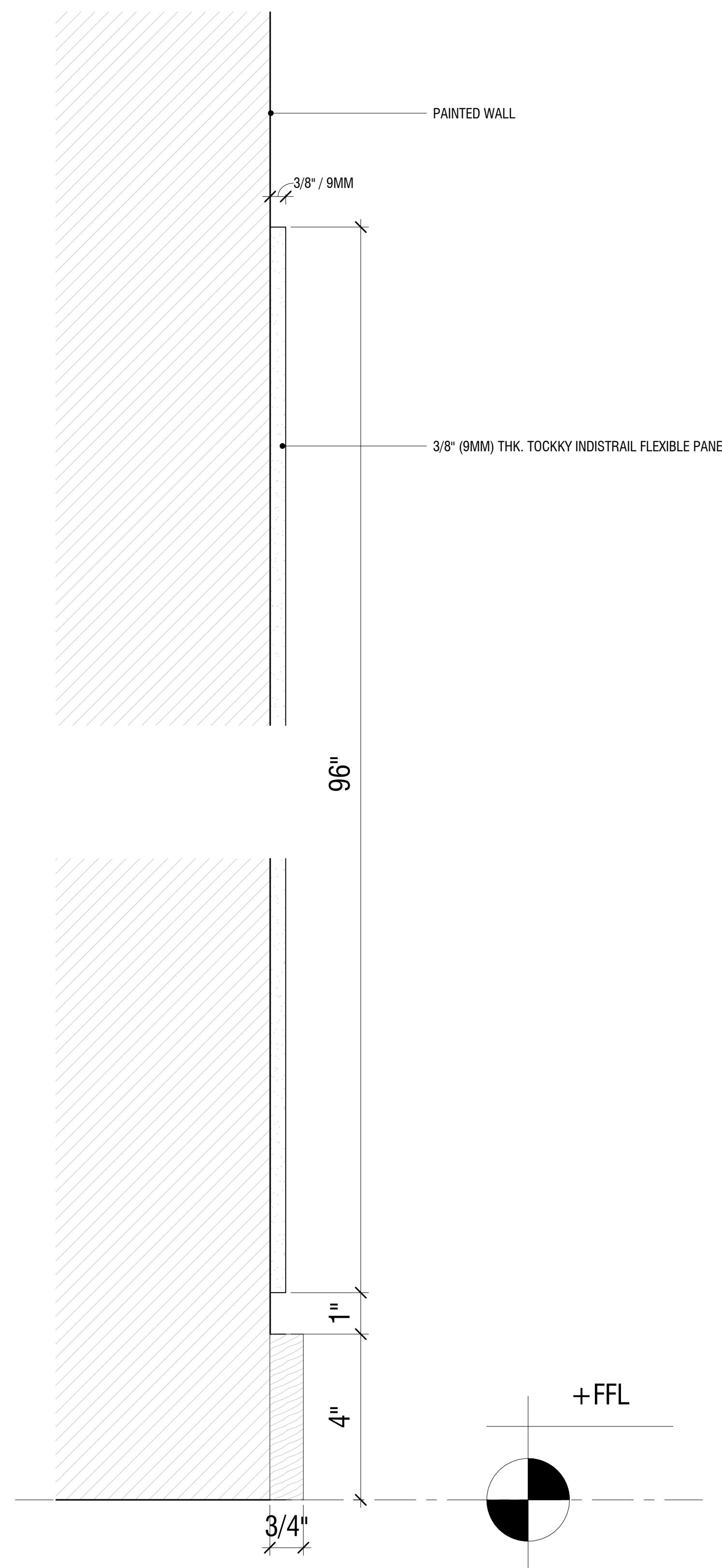
② 3/8" (9MM) TOCKKY INDISTRAIL FLEXIBLE ACOUSTIC PANEL ATTACHED W/ ADHESIVE - 4x8' - ELEVATION
1 1/2" = 1'-0"



③ 3/8" (9MM) TOCKKY INDISTRAIL FLEXIBLE ACOUSTIC PANEL ATTACHED W/ ADHESIVE - 4x8' - TYP. SECTION
1 1/2" = 1'-0"



① 3/8" (9MM) TOCKKY INDISTRAIL FLEXIBLE PANEL W/ADHESIVE - 4x8' - PLAN VIEW
1 1/2" = 1'-0"



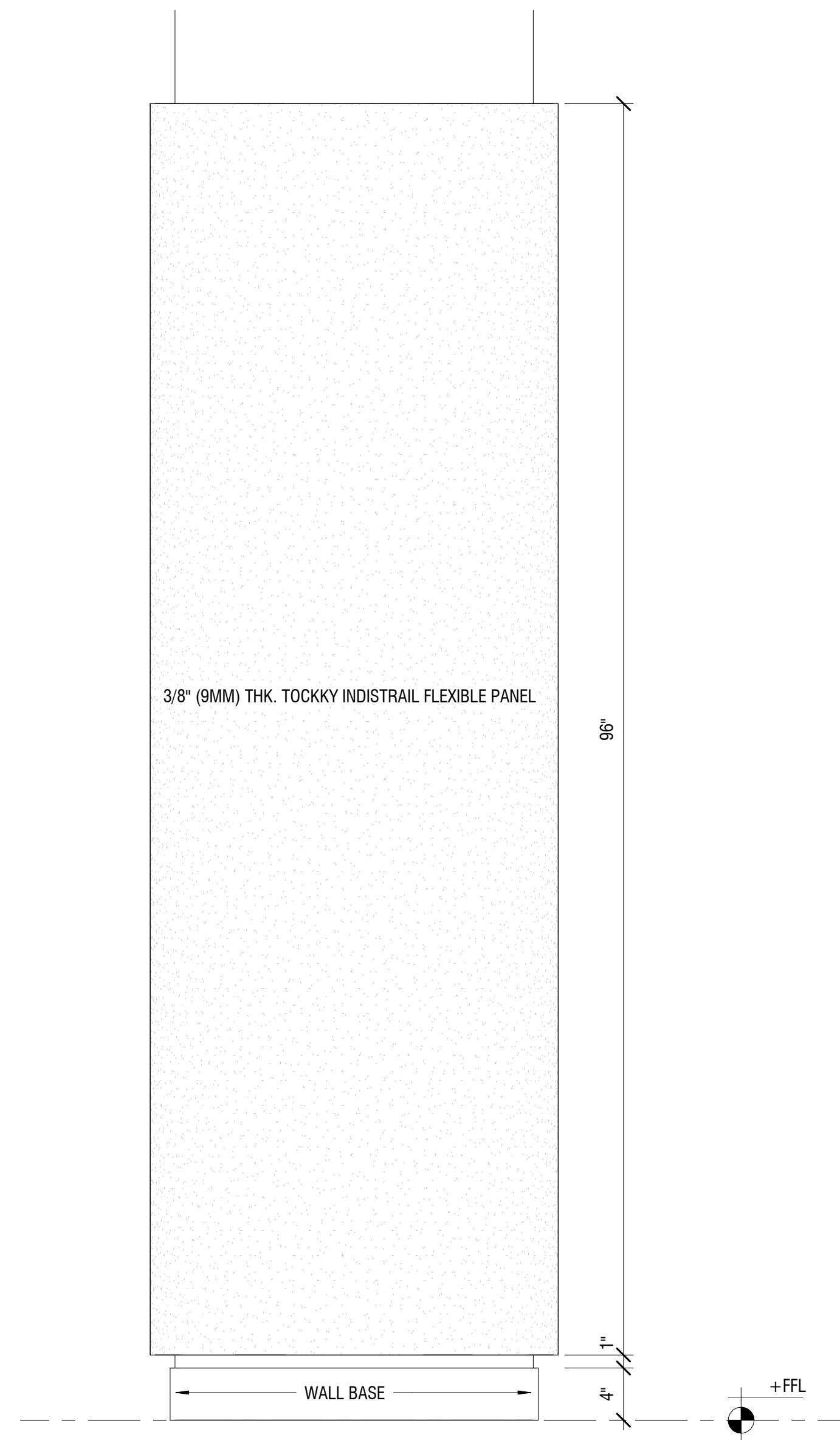
④ 3/8" (9MM) TOCKKY INDISTRAIL FLEXIBLE ACOUSTIC PANEL ATTACHED W/ ADHESIVE - 4x8' - SECTIONAL DETAIL
6" = 1'-0"

NO.	REVISIONS:	DATE:
1	SUBMISSION FOR APPROVAL	
2		
3		
4		

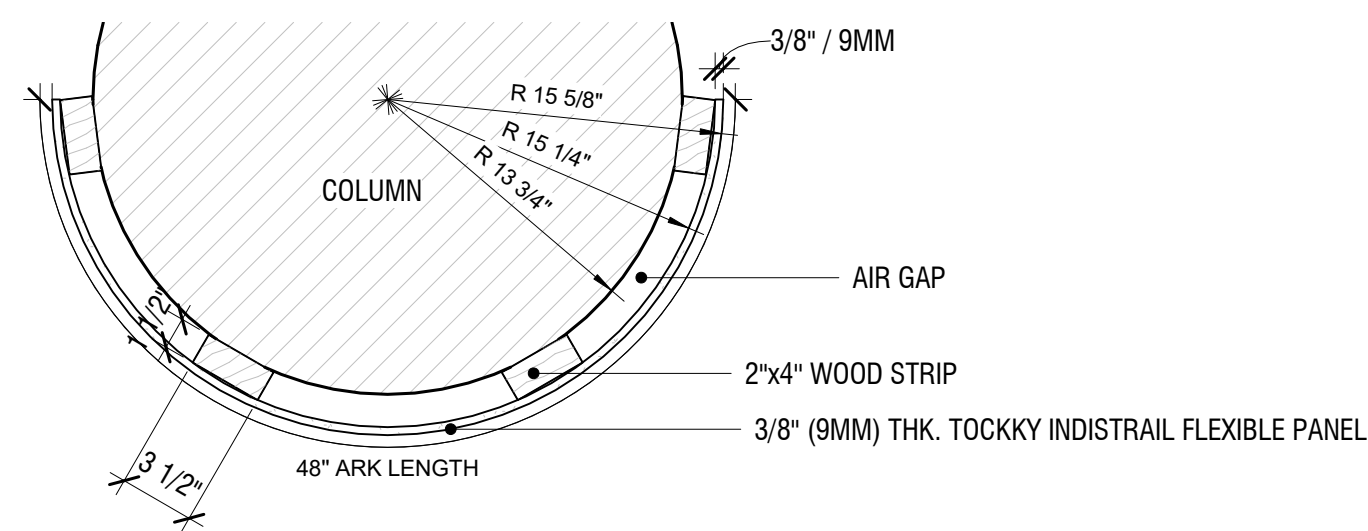


Product 2 - Tockky
IndiStrail Flexible
Acoustic Panels

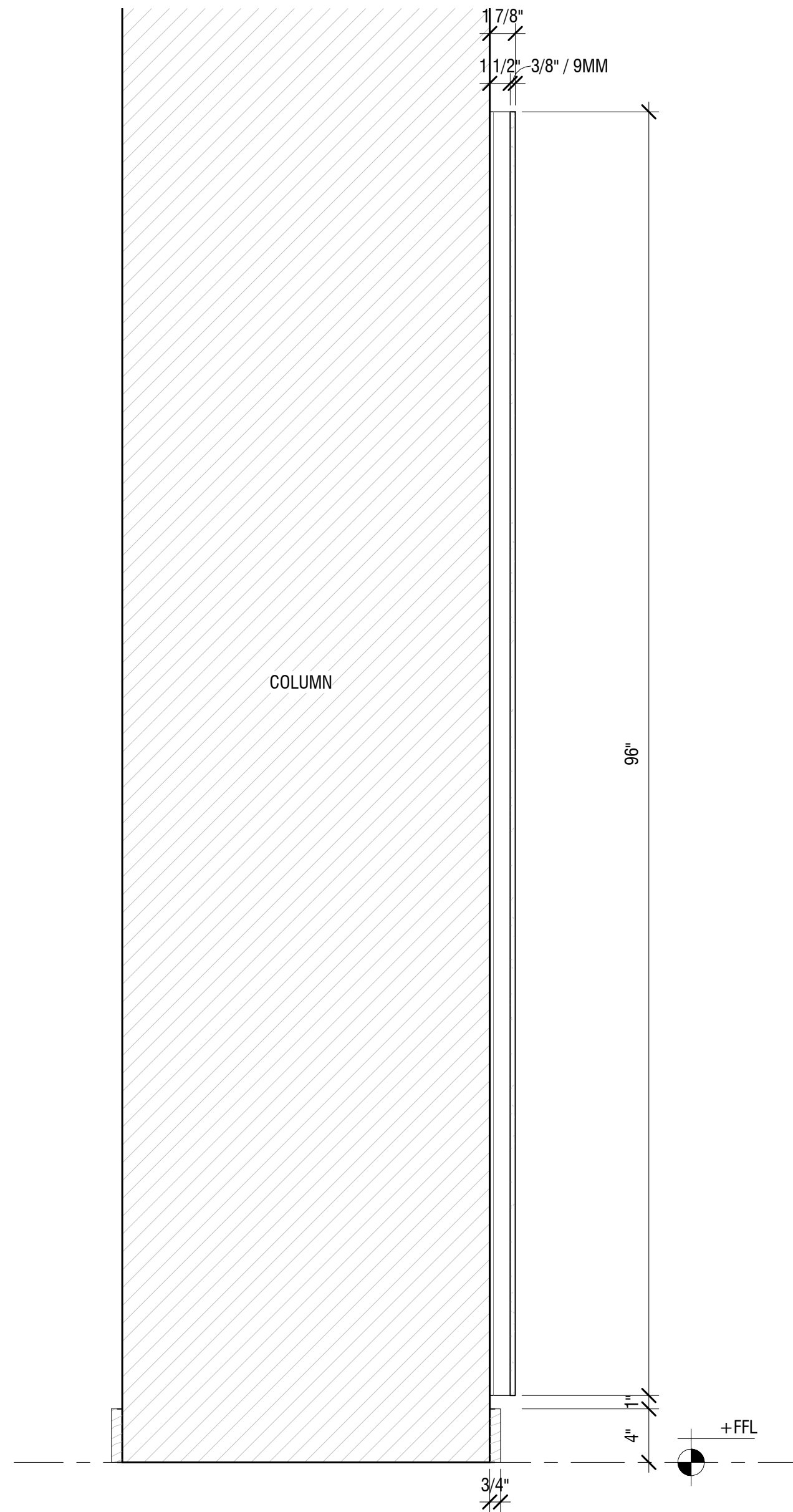
DATE:
DRAWN BY:
DRAWING TITLE:
3/8" (9MM) TOCKKY INDISTRAIL FLEXIBLE PANELS W/ADHESIVE - 4x8'
PROJECT NUMBER:
DRAWING NUMBER:



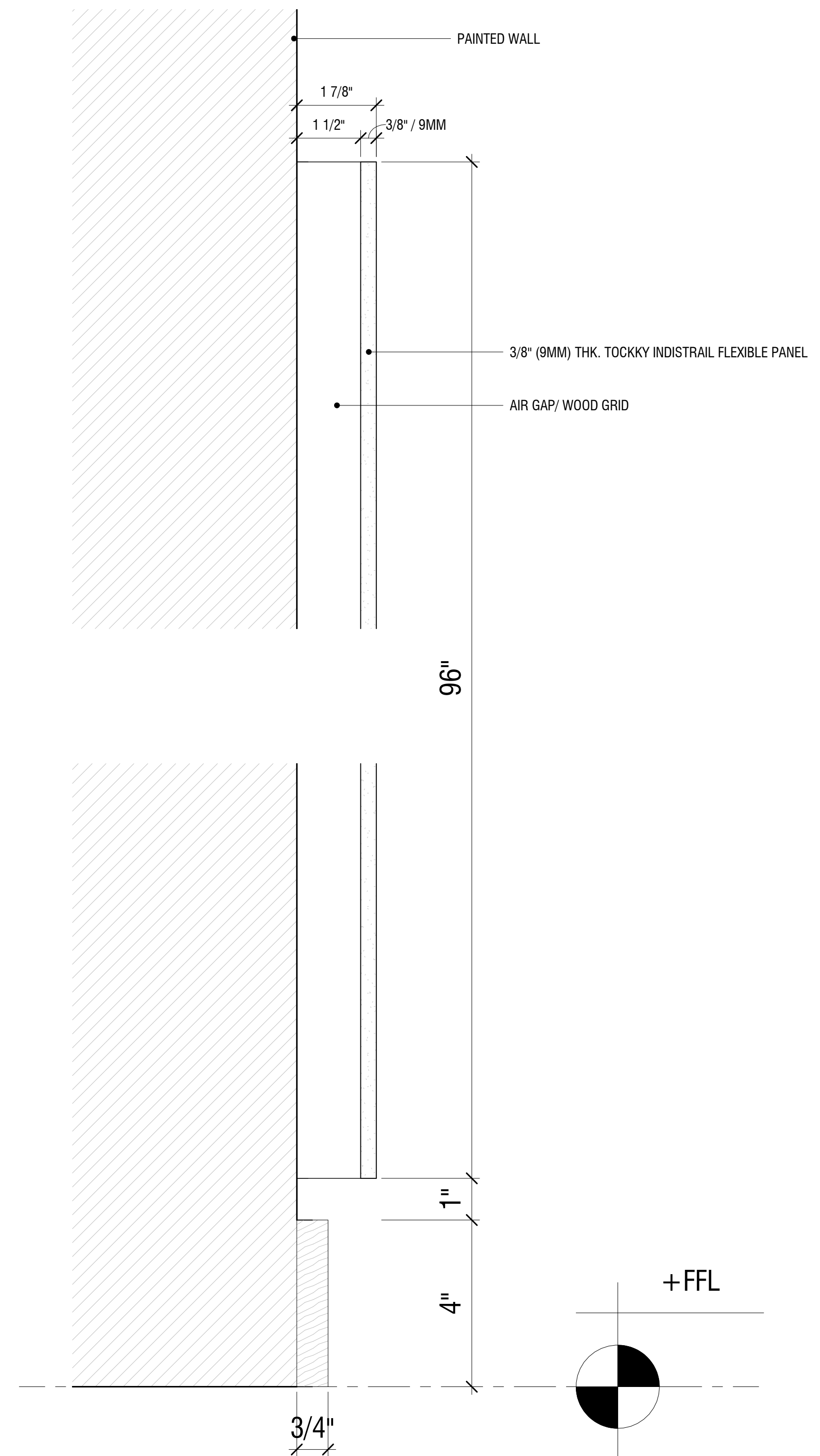
① 3/8" (9MM) TOCKKY INDISTRAL FLEXIBLE ACOUSTIC PANEL ATTACHED W/WOOD STRIPS - 4'x8' - ELEVATION
1 1/2" = 1'-0"



② 3/8" (9MM) TOCKKY INDISTRAL FLEXIBLE ACOUSTIC PANEL ATTACHED W/WOOD STRIPS - 4'x8' - PLAN VIEW
1 1/2" = 1'-0"

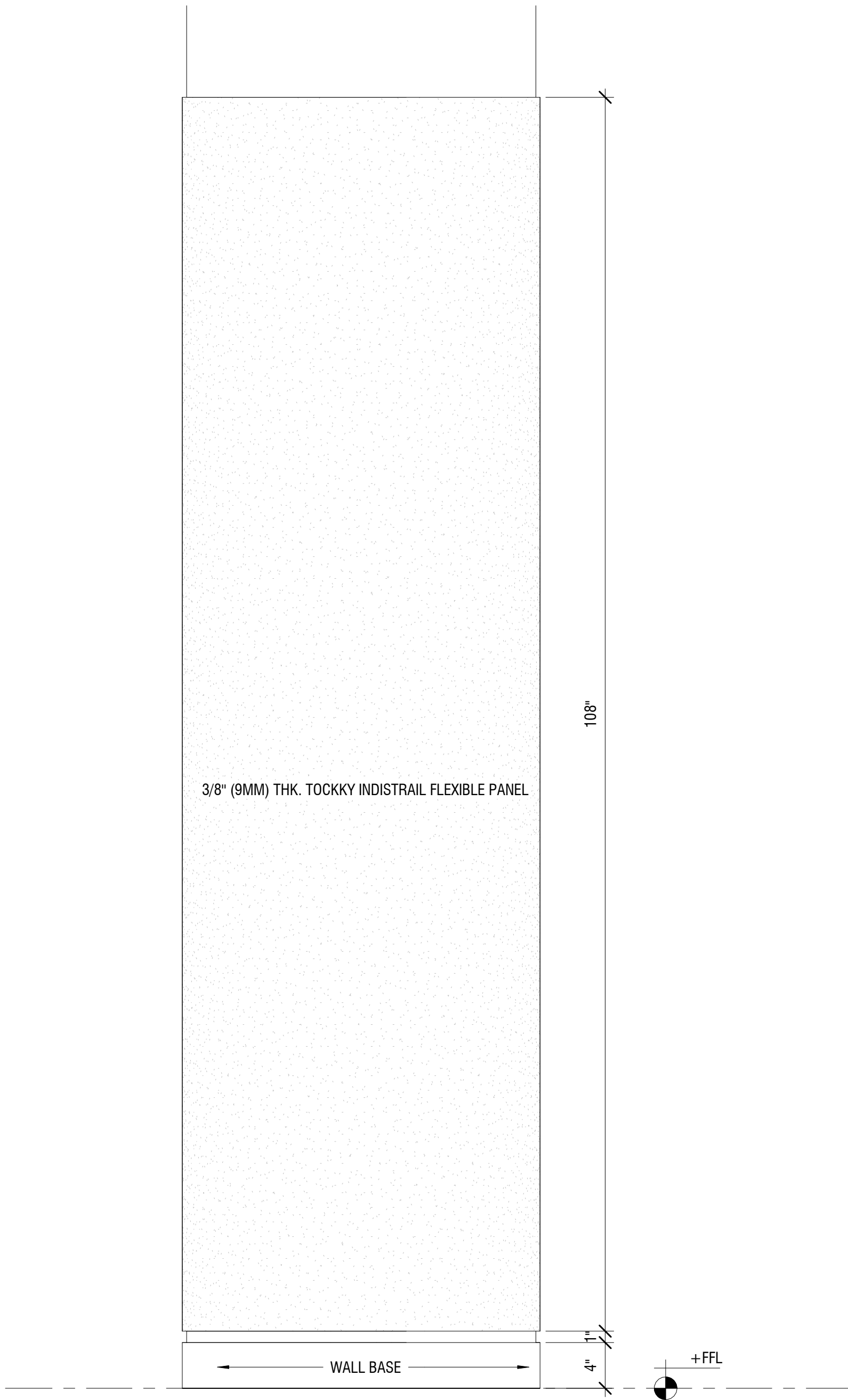


③ 3/8" (9MM) TOCKKY INDISTRAL FLEXIBLE ACOUSTIC PANEL ATTACHED W/WOOD STRIPS - 4'x8' - TYP. SECTION
1 1/2" = 1'-0"

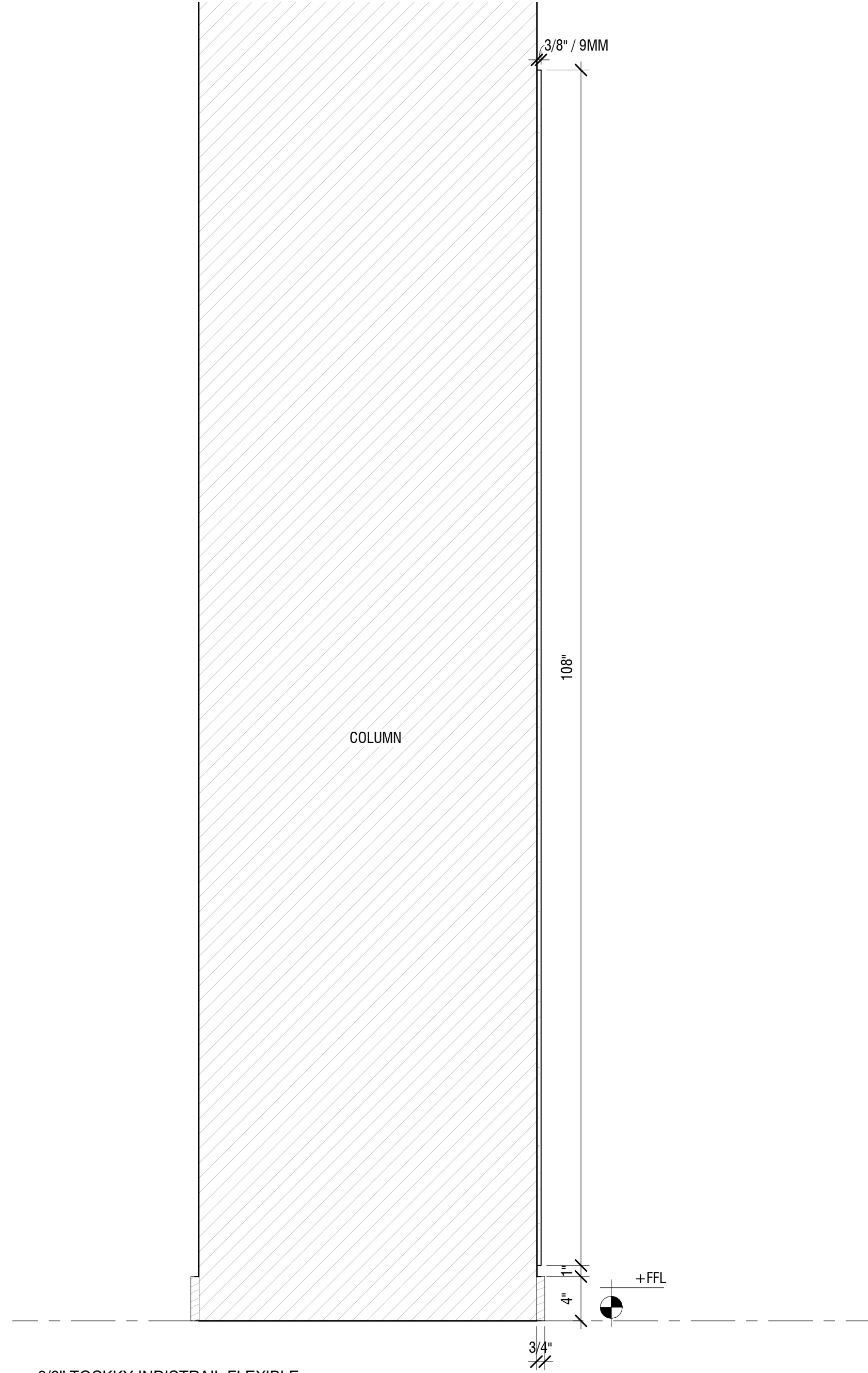


④ 3/8" (9MM) TOCKKY INDISTRAL FLEXIBLE ACOUSTIC PANEL ATTACHED W/WOOD STRIPS - 4'x8' - SECTIONAL DETAIL
6" = 1'-0"

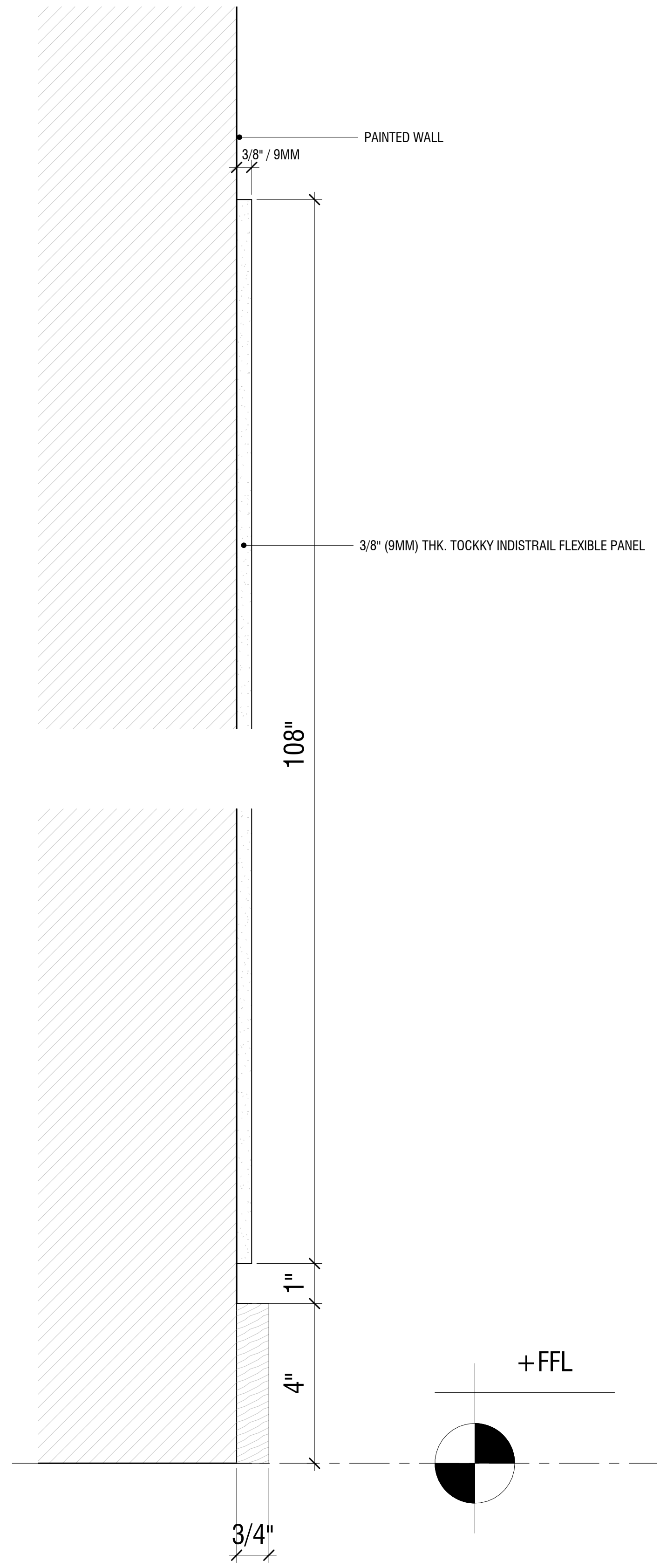
DATE:	
NAME:	
REVISIONS:	
NO.	1
	2
	3
	4
	
Product 2 - Tockky IndiStrail Flexible Acoustic Panels	
DATE:	
DRAWN BY:	
DRAWING TITLE:	3/8" (9MM) TOCKKY INDISTRAL FLEXIBLE PANELS W/WOOD STRIPS - 4'x8'
PROJECT NUMBER:	
DRAWING NUMBER:	1.1



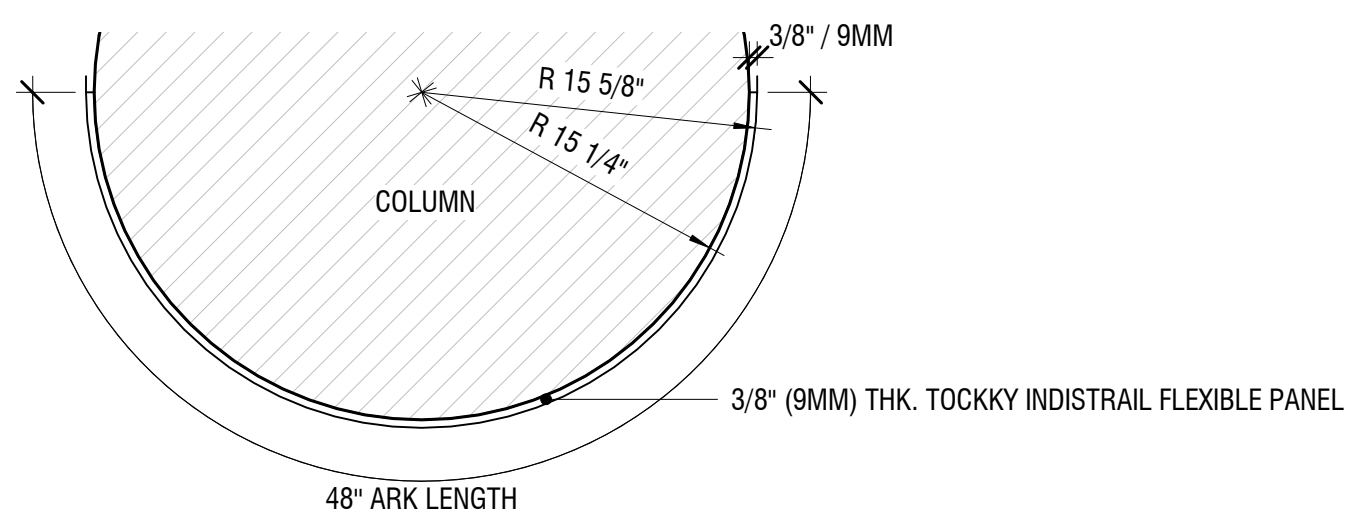
② 3/8" TOCKKY INDISTRIL FLEXIBLE ACOUSTIC PANEL ATTACHED W/ ADHESIVE - 4x9' - ELEVATION
1 1/2" = 1'-0"




③ 3/8" TOCKKY INDISTRIL FLEXIBLE ACOUSTIC PANEL ATTACHED W/ ADHESIVE - 4x9' - TYP. SECTION
1 1/2" = 1'-0"

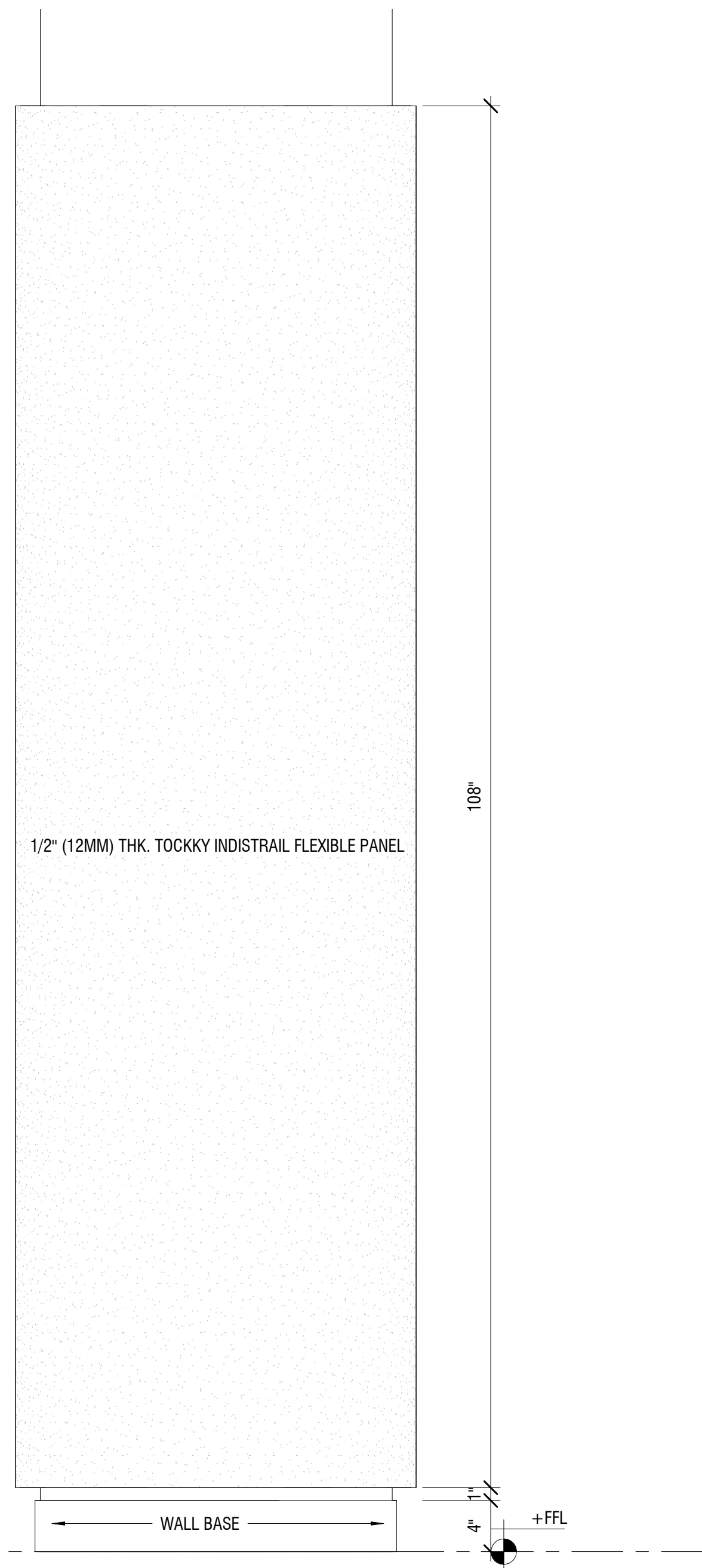


④ 3/8" TOCKKY INDISTRIL FLEXIBLE ACOUSTIC PANEL ATTACHED W/ ADHESIVE - 4x9' - SECTIONAL DETAIL
6" = 1'-0"

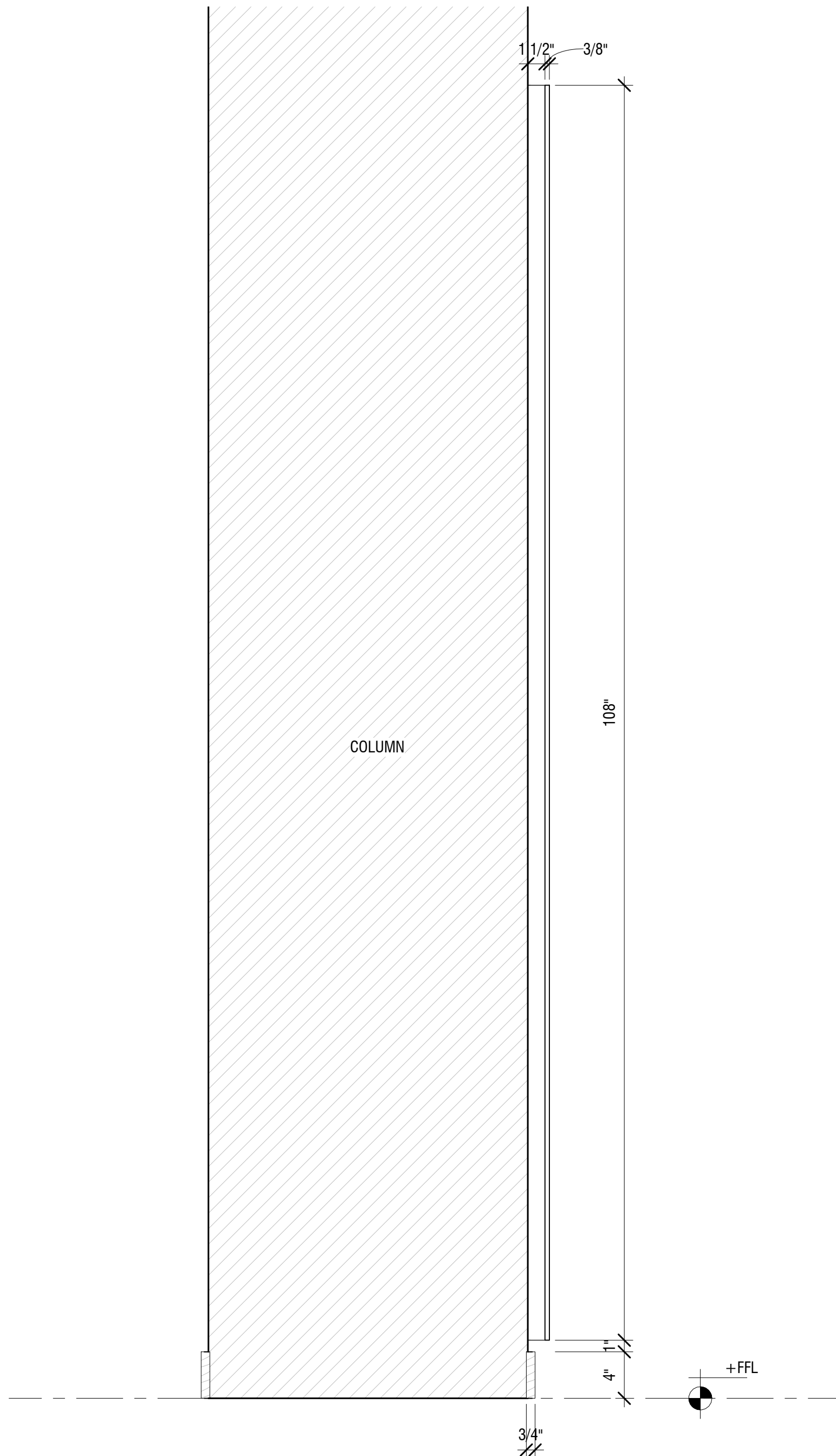


① 3/8" (9MM) TOCKKY INDISTRIL FLEXIBLE PANEL W/ADHESIVE - 4x9' - PLAN VIEW
1 1/2" = 1'-0"

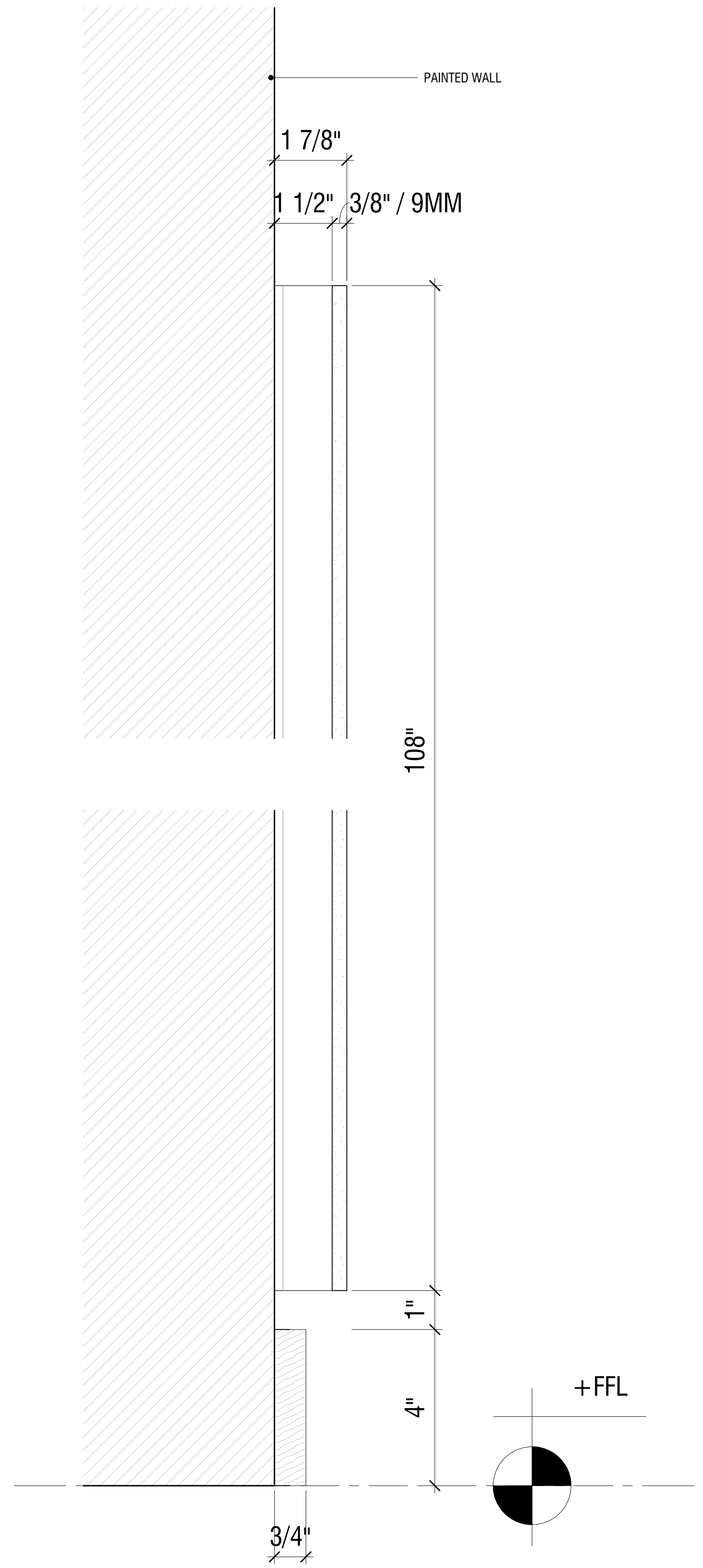
DATE:	
NAME:	
NO. REVISIONS:	
1	SUBMISSION FOR APPROVAL
2	
3	
4	
	
Product 2 - Tockky IndiStrail Flexible Acoustic Panels	
DATE:	
DRAWN BY:	
DRAWING TITLE:	3/8" (9MM) TOCKKY INDISTRIL FLEXIBLE PANELS W/ADHESIVE - 4x9'
PROJECT NUMBER:	
DRAWING NUMBER:	2.0



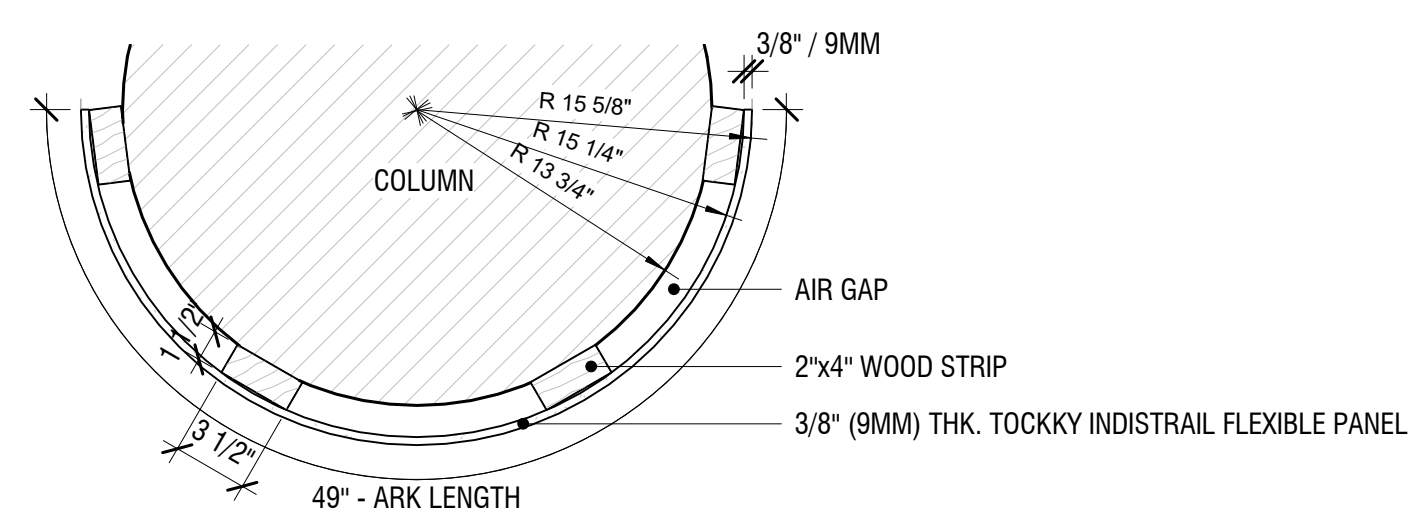
② 3/8" (9MM) TOCKKY INDISTRAIL FLEXIBLE ACOUSTIC PANEL ATTACHED W/WOOD STRIPS - 4'x9' - ELEVATION
1 1/2" = 1'-0"




③ 3/8" (9MM) TOCKKY INDISTRAIL FLEXIBLE ACOUSTIC PANEL ATTACHED W/WOOD STRIPS - 4'x9' - TYP. SECTION
1 1/2" = 1'-0"



④ 3/8" (9MM) TOCKKY INDISTRAIL FLEXIBLE ACOUSTIC PANEL ATTACHED W/WOOD STRIPS - 4'x9' - SECTIONAL DETAIL
6" = 1'-0"



① 3/8" (9MM) TOCKKY INDISTRAIL FLEXIBLE PANEL W/WOOD STRIPS - 4'x9' - PLAN VIEW
1 1/2" = 1'-0"

DATE:	
NAME:	
NO.:	REVISIONS:
1	SUBMISSION FOR APPROVAL
2	
3	
4	
 Tockky	
Product 2 - Tockky IndiStrail Flexible Acoustic Panels	
DATE:	
DRAWN BY:	
DRAWING TITLE:	3/8" (9MM) TOCKKY INDISTRAIL FLEXIBLE PANELS W/WOOD STRIPS - 4'x9'
PROJECT NUMBER:	
DRAWING NUMBER:	2.1